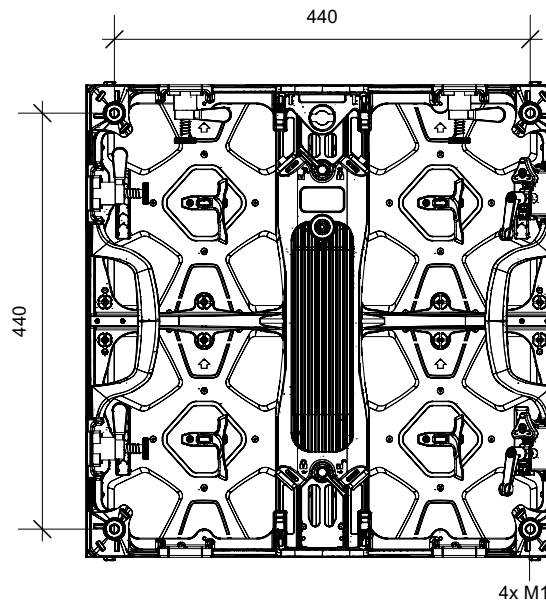
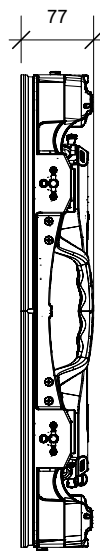
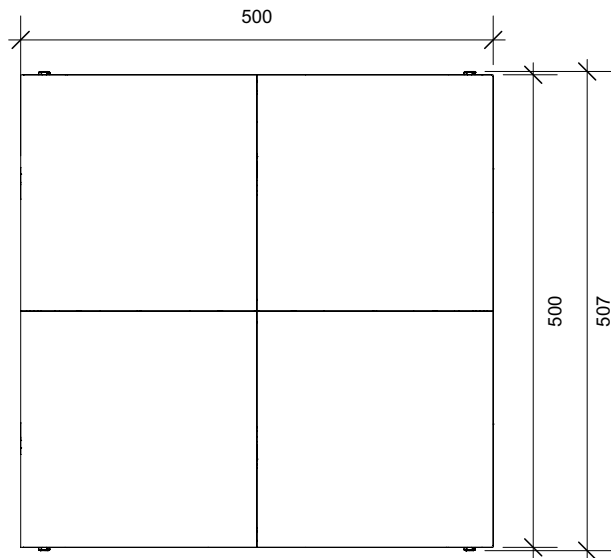
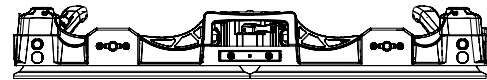
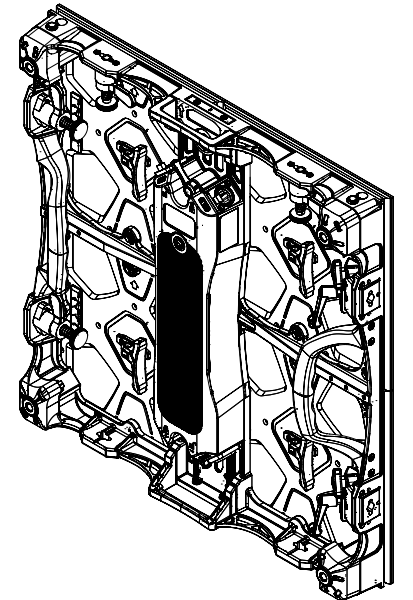
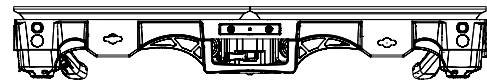



Pixel Pitch: 3,91 mm
 Brightness Level: 1500 nits
 Transparency: 0%
 Refresh rate: 3840Hz
 Module Resolution: 64 x 64 px
 Cabinet Resolution: 128 x 128 px
 Viewing angle: 160° x 160° (H x V)
 Control system: Novastar A5s PLUS
 Input Voltage: 100-240 VAC 50-60 Hz
 Max Power Consumption: 150 W/panel
 Average Power Consumption: 50 W/panel
 IP Rating: IP20
 Data connection: ProCat
 Power connection: Power Pro
 Cooling: Convection
 Maintenance: Front / Rear
 Mechanical connection: Fast Lock System
 Maximum rigging height: Ver: 18 Cabinets
 Module size: 250 x 250 mm (W x H)
 Cabinet size: 500 x 500 x 77 mm (W x H x D)
 Cabinet weight: 6 Kg
 Housing material: Aluminium die-cast
 Curved angle: -10 / -5 / 0 / 5
 Operating temperature: -10°C ~ +45°C
 Certification: CE / EMC / UKCA



4x M10



Ordercode : 101810	Item : Alpha Series A3.9i	Version: 1
 DMT DAP-Audio Infinity Showtec Arctea	Drawn by: MVG	Short Description :
	Creation date: 10/03/2022	Specsheet
	Units: mm	Tolerance :
	Scale: 1:8	+/- 0,5mm
Highlite International BV, Vestastraat 2, 6468 EX Kerkrade, tel: +31 (0)45 5667700, www.highlite.nl		