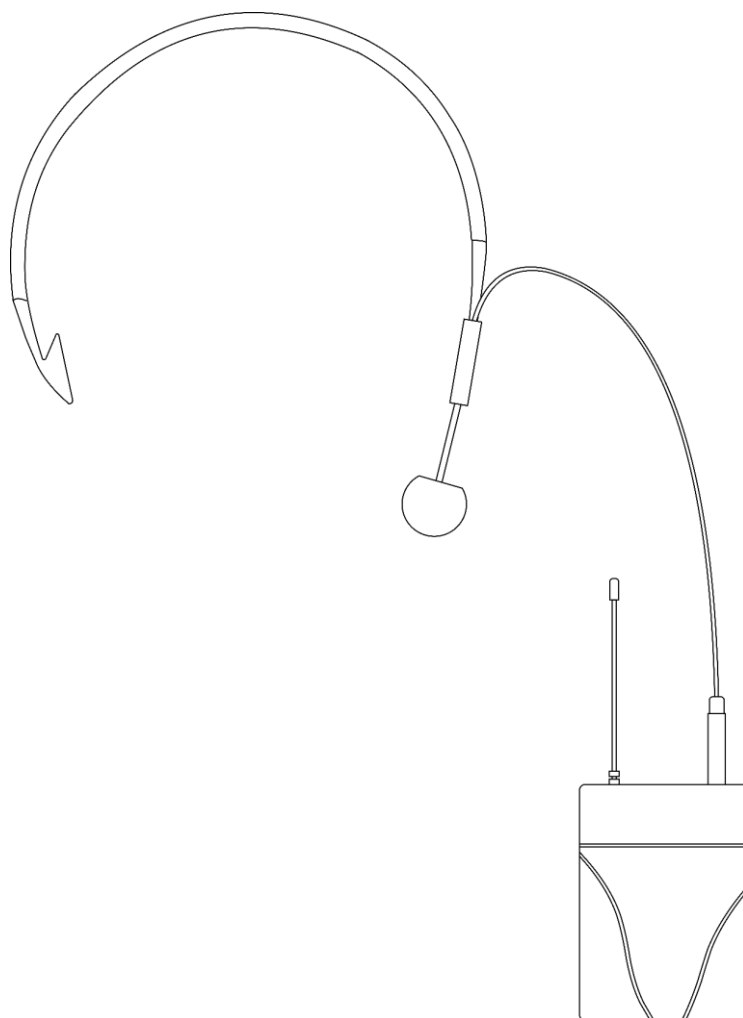


# DAP

**USER MANUAL**



**ENGLISH**

**BP-10 Beltpack for PSS-110**

**V1**

**Product code: D2620**

### Preface

---

Thank you for purchasing this DAP product.

The purpose of this user manual is to provide instructions for the correct and safe use of this product.

Keep the user manual for future reference as it is an integral part of the product. The user manual shall be stored at an easily accessible location.

This user manual contains information concerning:

- Safety instructions
- Installation and operation of the device
- Intended and non-intended use of the device
- Maintenance procedures
- Troubleshooting
- Transport, storage and disposal of the device

Non-observance of the instructions in this user manual may result in serious injuries and damage of property.

©2021 DAP. All rights reserved.

No part of this document may be copied, published or otherwise reproduced without the prior written consent of Highlite International.

Design and product specifications are subject to change without prior notice.

For the latest version of this document or other language versions, please visit our website [www.highlite.com](http://www.highlite.com) or contact us at [service@highlite.com](mailto:service@highlite.com).

Highlite International and its authorized service providers are not liable for any injury, damage, direct or indirect loss, consequential or economic loss or any other loss arising from the use of, or inability to use or reliance on the information contained in this document.

## Table of contents

---

<b>1. Introduction</b> .....	<b>3</b>
1.1. Before Using the Product .....	3
1.2. Intended Use .....	3
1.3. Product Lifespan.....	3
1.4. Text Conventions .....	3
1.5. Symbols and Signal Words.....	4
1.6. Symbols on the Information Label .....	4
<b>2. Safety</b> .....	<b>5</b>
2.1. Warnings and Safety Instructions .....	5
2.2. Requirements for the User.....	6
<b>3. Description of the Device</b> .....	<b>7</b>
3.1. Beltpack .....	7
3.2. Headset .....	8
3.3. Product Specifications .....	8
3.4. Optional Accessories.....	9
3.5. Dimensions.....	9
<b>4. Installation</b> .....	<b>10</b>
4.1. Ambient Conditions .....	10
4.2. Usage .....	10
4.3. Installation of the Batteries .....	10
<b>5. Setup and Operation</b> .....	<b>11</b>
5.1. Safety Instructions for Operation.....	11
5.2. Switching On/Off/Mute.....	11
5.3. Connecting Headset/Microphone/Instrument .....	11
5.4. Connecting to the Receiver .....	12
5.5. Adjusting the Input Gain .....	13
5.6. Setup Example .....	14
5.7. Start-up.....	15
<b>6. Troubleshooting</b> .....	<b>15</b>
<b>7. Maintenance</b> .....	<b>16</b>
7.1. Preventive Maintenance .....	16
7.1.1. Basic Cleaning Instructions .....	16
7.2. Corrective Maintenance .....	16
<b>8. Deinstallation, Transportation and Storage</b> .....	<b>16</b>
<b>9. Disposal</b> .....	<b>17</b>
<b>10. Approval</b> .....	<b>17</b>

## 1. Introduction

### 1.1. Before Using the Product

**Important**

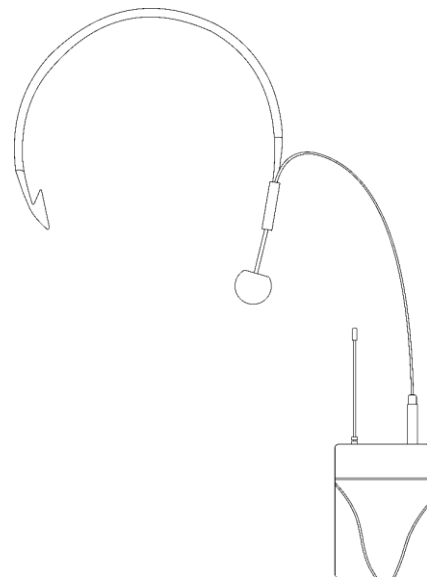
**Read and follow the instructions in this user manual before installing, operating or servicing this product.**

The manufacturer will not accept liability for any resulting damages caused by the non-observance of this manual.

After unpacking, check the contents of the box. If any parts are missing or damaged, contact your Highlite International dealer.

Your shipment includes:

- DAP BP-10 Beltpack for PSS-110
- Headset + microphone (cable length: 1,3 m)
- User manual



**Fig. 01**

### 1.2. Intended Use

This device is intended for use as a bodypack wireless transmitter. It is suitable for indoor and outdoor use (only if the ambient conditions do not exceed the conditions described in **2.1. Warnings and Safety Instructions** on page 5).

Any other use, not mentioned under intended use, is regarded as non-intended and incorrect use.

### 1.3. Product Lifespan

This device is not designed for permanent operation. Turn the device off when the device is not in operation. This will reduce the wear and will improve the device's lifespan.

### 1.4. Text Conventions

Throughout the user manual the following text conventions are used:

- References: References to chapters and parts of the device are in bold lettering, for example: "Refer to **2. Safety**", "press the **power switch (03)**"
- 0–255: Defines a range of values
- Notes: **Note:** (in bold lettering) is followed by useful information or tips

## 1.5. Symbols and Signal Words

Safety notes and warnings are indicated throughout the user manual by safety signs.

Always follow the instructions provided in this user manual.



### **DANGER**

Indicates an imminently hazardous situation which, if not avoided, will result in death or serious injury.



### **WARNING**

Indicates an imminently hazardous situation which, if not avoided, could result in death or serious injury.



### **CAUTION**

Indicates a potentially hazardous situation, which, if not avoided, may result in minor or moderate injury.



### **Attention**

Indicates important information for the correct operation and use of the product.



### **Important**

Read and observe the instructions in this document.



Provides important information about the disposal of this product.



## 1.6. Symbols on the Information Label

This product is provided with an information label. The information label is located on the bottom plate of the device.

The information label contains the following symbols:



This device shall not be treated as household waste.



## 2. Safety



**Important**  
Read and follow the instructions in this user manual before installing, operating or servicing this product.

The manufacturer will not accept liability for any resulting damages caused by the non-observance of this manual.

### 2.1. Warnings and Safety Instructions



**DANGER**  
Danger for children

For adult use only. The device must be installed beyond the reach of children.

- Do not leave various parts of the packaging (plastic bags, polystyrene foam, nails, etc.) within children's reach. Packaging material is a potential source of danger for children.



**Attention**  
General safety

- Do not shake the device. Avoid brute force when installing or operating the device.
- If the device is exposed to extreme temperature variations (e.g. after transportation), do not switch it on immediately. Let the device reach room temperature before switching it on, otherwise it may be damaged by the formed condensation.



**Attention**  
This device shall be used only for the purposes it is designed for.

This device is intended for use as a bodypack wireless transmitter. It is suitable for indoor and outdoor use. Any incorrect use may lead to hazardous situations and result in injuries and material damage.

This device does not contain user-serviceable parts. Unauthorized modifications to the device will render the warranty void. Such modifications may result in injuries and material damage.



**Attention**  
Do not expose the device to conditions that exceed the rated IP class conditions.

This device is IP20 rated. IP (Ingress Protection) 20 class provides protection against solid objects greater than 12 mm, such as fingers, and no protection against harmful ingress of water.

## **2.2. Requirements for the User**

This product may be used by ordinary persons. Maintenance and installation may be carried by ordinary persons. Service shall be carried out only by instructed or skilled persons. Contact your Highlite International dealer for more information.

Instructed persons have been instructed and trained by a skilled person, or are supervised by a skilled person, for specific tasks and work activities associated with the service of this product, so that they can identify risks and take precautions to avoid them.

Skilled persons have training or experience, which enables them to recognize risks and to avoid hazards associated with the service of this product.

Ordinary persons are all persons other than instructed persons and skilled persons. Ordinary persons include not only users of the product but also any other persons that may have access to the device or who may be in the vicinity of the device.

### 3. Description of the Device

The DAP BP-10 is a bodypack wireless transmitter that can be used with the PSS-110 speaker (D2611), condenser microphones or musical instruments. The set consists of a beltpack and a headset with a microphone.

#### 3.1. Beltpack

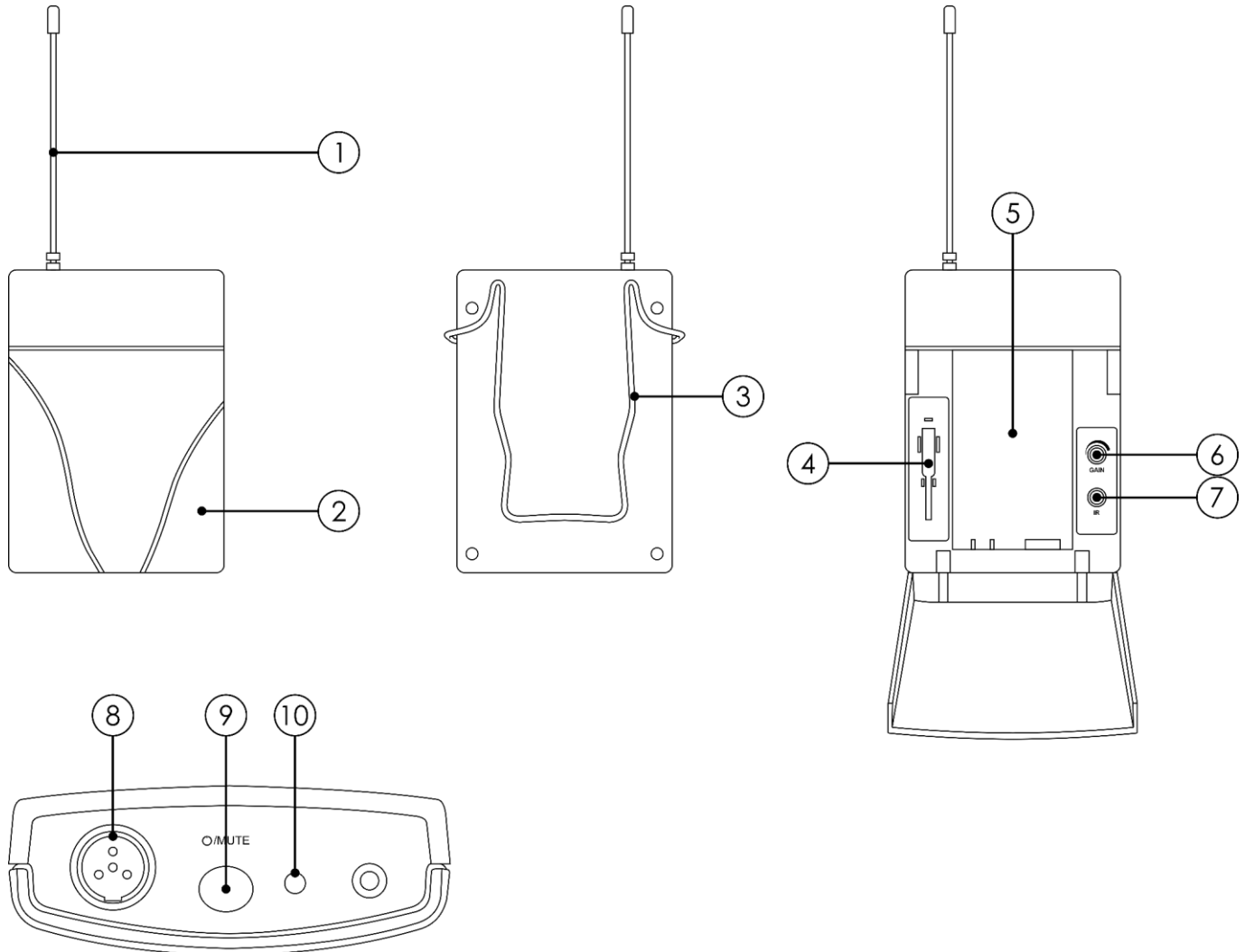


Fig. 02

- 01) Antenna
- 02) Battery compartment cover
- 03) Belt clip
- 04) Mini screwdriver
- 05) Battery housing (2 x AA)
- 06) Gain control
- 07) Infra-red (IR) sensor
- 08) 4-pin connector IN
- 09) ON/OFF/Mute button
- 10) Power/mute LED indicator (green/red)



### 3.2. Headset

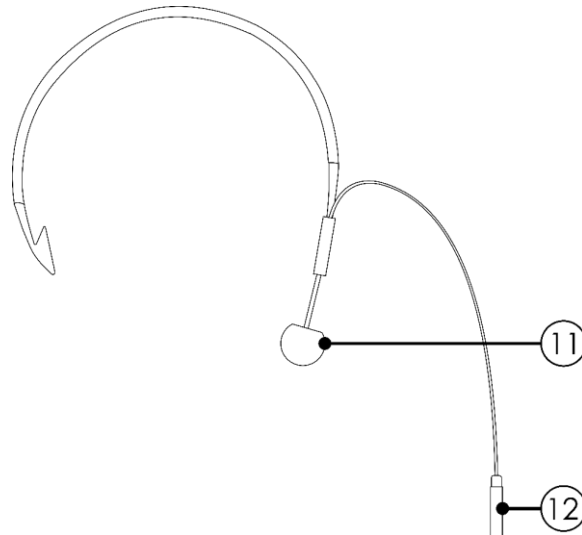


Fig. 03

- 11) Microphone  
12) 4-pin connector OUT

### 3.3. Product Specifications

Model:	DAP BP-10 Beltpack for PSS-110
<b>Features:</b>	
Frequency response:	615–638 MHz
<b>Beltpack:</b>	
Connections:	4-pin headset connector IN
Carrier frequency band:	UHF
Oscillation mode:	FM(F3E)
Frequency stability:	$\pm 0,005\%$
RF radiation:	10 mW
Spurious emission:	45 dBm
THD:	<150 mA
Frequency response:	50 Hz – 15 kHz ( $\pm 3$ dB)
Current drain:	<150 mA
Tone frequency:	32768 kHz
Dynamic:	>100 dB
Microphone/instrument input:	10 dBu
Power supply:	2 x AA LR6 batteries (not supplied)
Dimensions:	61 x 24 x 175 mm (L x W x H)
Weight:	0,13 kg
<b>Headset:</b>	
Microphone:	Condenser
<b>Construction:</b>	
Housing:	Plastic
Color:	Black
IP rating:	IP20
<b>Thermal:</b>	
Max. ambient temperature $t_a$ :	40 °C

### 3.4. Optional Accessories

You can additionally purchase the following accessories:

Product code: [D1428](#) (Aerobic Arm bag)

Product code: [D1429](#) (Aerobic Belt bag)

Product code: [98040](#) (Duracell industrial AA battery)

Product code: [D2611](#) (PSS-110 MKIII)

### 3.5. Dimensions

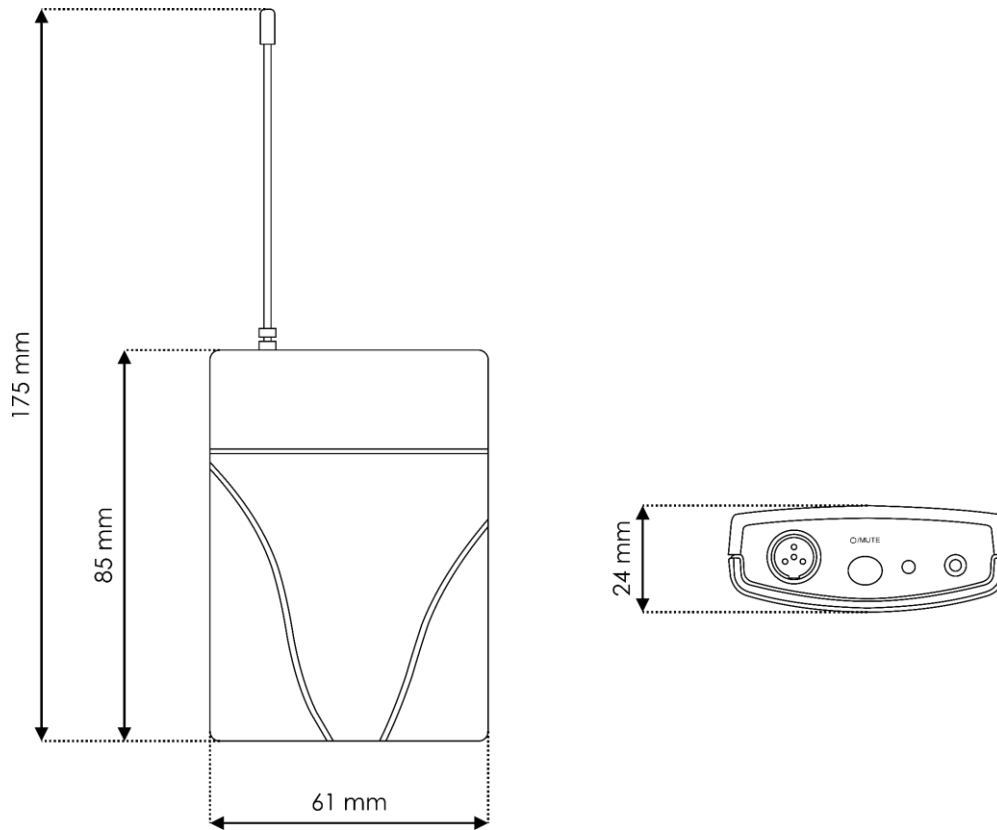


Fig. 04

## 4. Installation

### 4.1. Ambient Conditions

- The device can be used indoors and outdoors (only if the ambient conditions do not exceed the conditions described in **2.1. Warnings and Safety Instructions** on page 5).
- The maximum ambient temperature  $t_a = 40\text{ °C}$  must never be exceeded.
- The relative humidity must not exceed 50 % with an ambient temperature of 40 °C.

### 4.2. Usage

Use the **belt clip (03)** on the device to fasten it to your clothes.

Alternatively, wear the device around your waist or arm. To do so, you need to purchase the DAP Aerobic Belt Bag (D1429) or the DAP Aerobic Arm Bag (D1428).

### 4.3. Installation of the Batteries

The device is delivered without batteries. It accepts 2 x AA LR6 (alkaline) batteries. Rechargeable Ni-Cad batteries can be used but they do not supply adequate current for more than 4 hours.

To install the batteries:

- 01) Press on the sides of the device to open the **battery compartment cover (02)** (Fig. 05).
- 02) Insert 2 x AA LR6 batteries into the **battery housing (05)** (Fig. 06).
- 03) Close the **battery compartment cover (02)**.

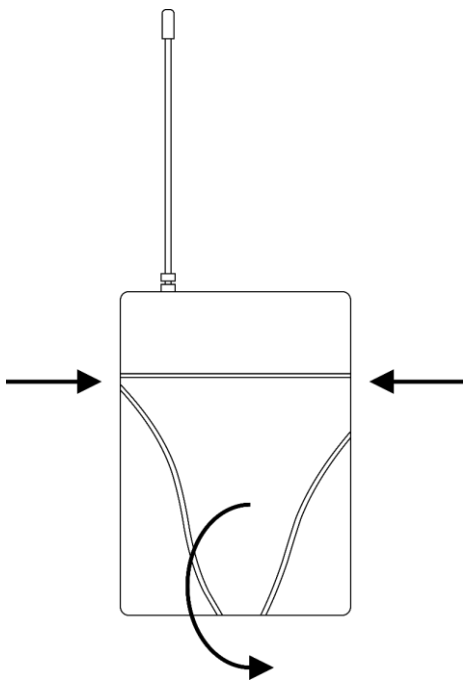


Fig. 05

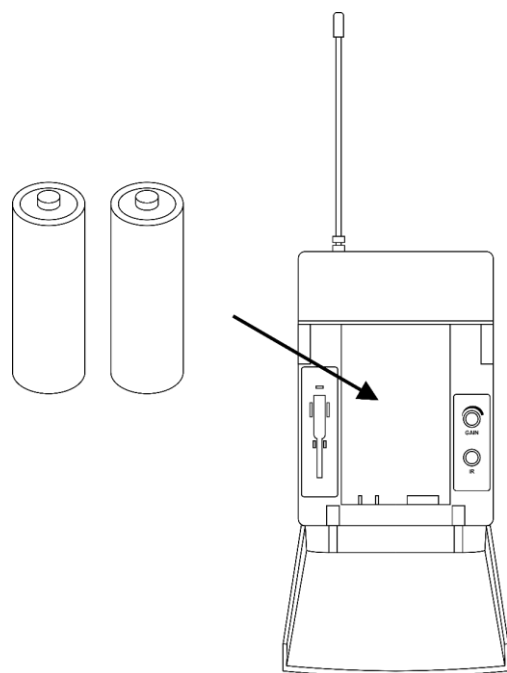


Fig. 06

#### Note:

Make sure that you install the batteries with correct polarity orientation.

## 5. Setup and Operation

---

### 5.1. Safety Instructions for Operation

**Attention**

This device must be used only for the purposes it is designed for.

This device is intended for use as a backpack wireless transmitter. It is suitable for indoor and outdoor use (only if the ambient conditions do not exceed the conditions described in **2.1. Warnings and Safety Instructions** on page 5). It is not suitable for households.

Any other use, not mentioned under intended use, is regarded as non-intended and incorrect use.

### 5.2. Switching On/Off/Mute

The device has a Power ON/OFF/Mute button.

To switch on the device, press and hold down the **ON/OFF/Mute button (09)** for 3 seconds. The **power/mute LED indicator (10)** lights green.

To mute the device, when the device is on, press the **ON/OFF/Mute button (09)** once. The **power/mute LED indicator (10)** lights red.

To switch off the device, press and hold down the **ON/OFF/Mute button (09)** for 6 seconds. The **power/mute LED indicator (10)** turns off.

### 5.3. Connecting Headset/Microphone/Instrument

The device has a 4-pin input connector, to connect a headset, microphone or an instrument to the transmitter.

Plug the device of your choice into the **4-pin connector IN (08)**.

## 5.4. Connecting to the Receiver

Before use, pair the device and the PSS-110. You need to do this for the system to work properly.

To pair the device with the PSS-110:

- 01) Switch the PSS-110 on.
- 02) On the PSS-110, choose the desired channel/frequency. Refer to the user manual of the PSS-110 for more information.
- 03) Press on the sides of the device to open the **battery compartment cover (02)** (Fig. 07).

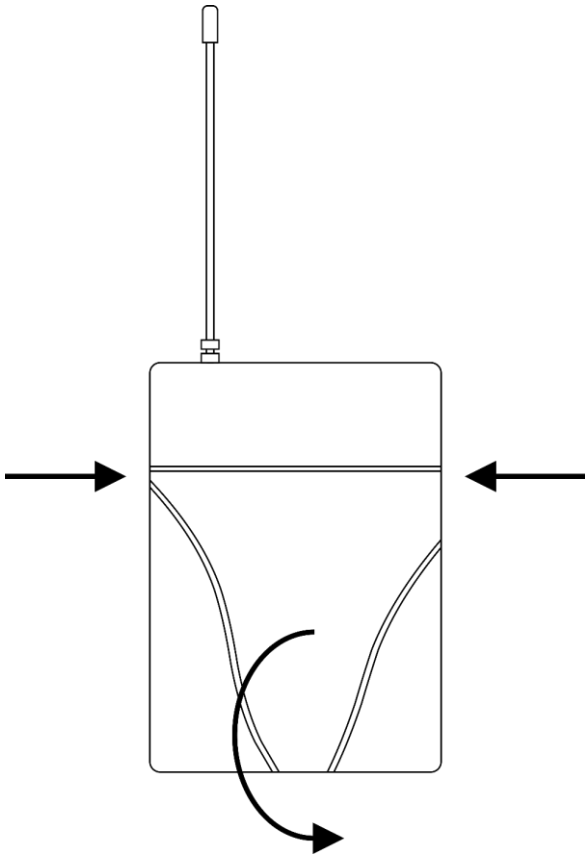


Fig. 07

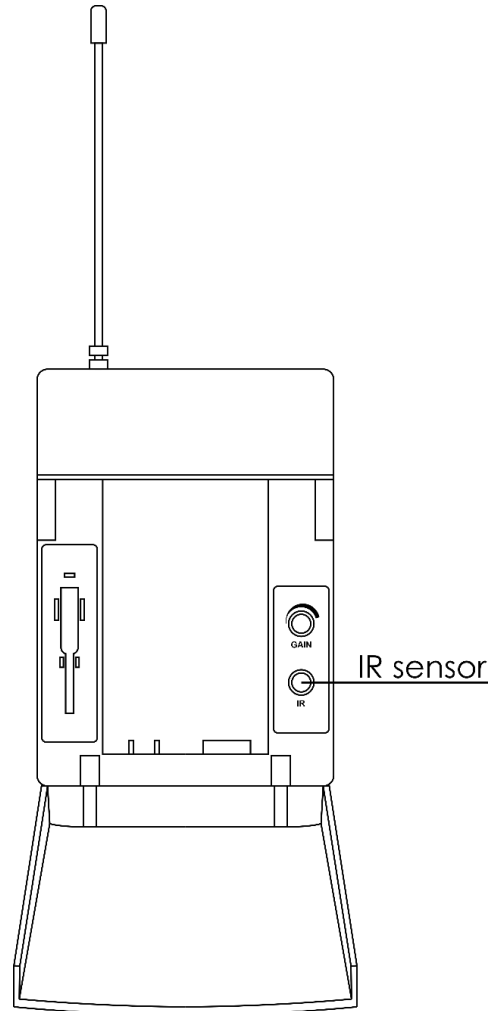


Fig. 08

- 04) On the PSS-110, press and hold down the UP button for 3 seconds. The channel's number will start blinking on the PSS-110's display.
- 05) Put the device's **infra-red (IR) sensor (07)** close to the PSS-110's display to pair both devices. When the devices are paired, the PSS-110's display will show the RF range.
- 06) Close the **battery compartment cover (02)**.

## 5.5. Adjusting the Input Gain

To adjust the input gain:

- 01) Press on the sides of the device to open the **battery compartment cover (02)** (Fig. 09).
- 02) Use the supplied **mini screwdriver (04)** to adjust the input gain (Fig. 10).
- 03) Close the **battery compartment cover (02)**.

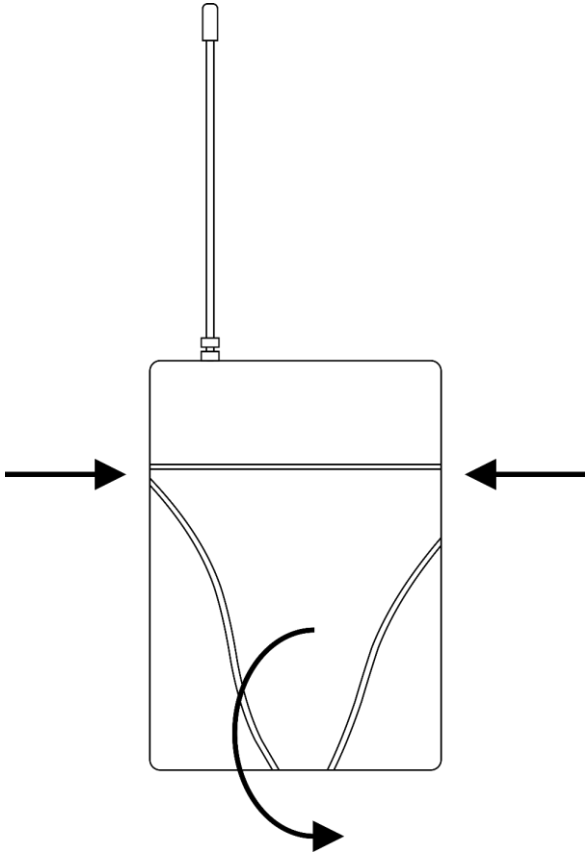


Fig. 09

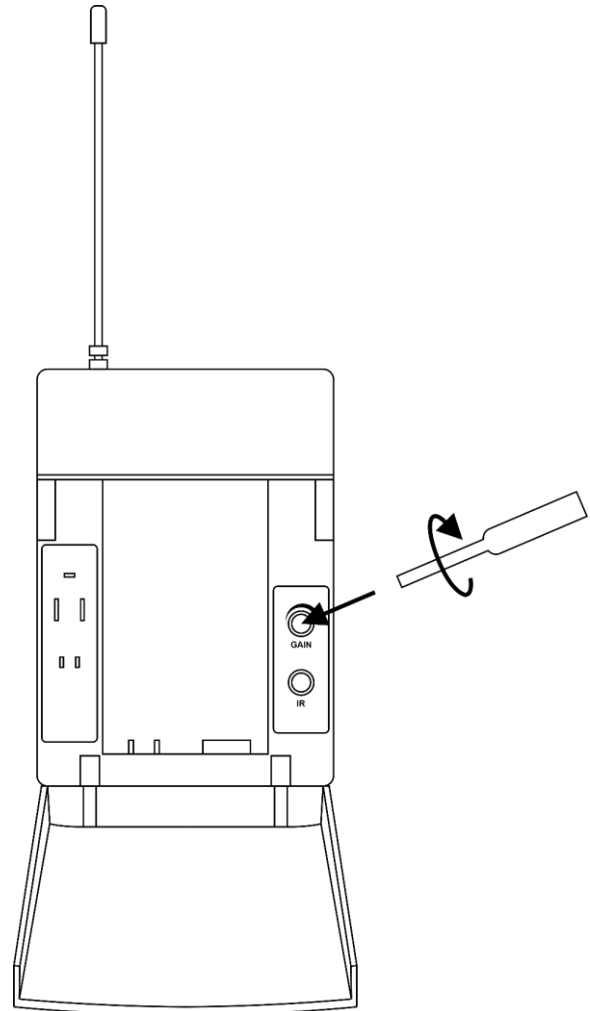


Fig. 10

### 5.6. Setup Example

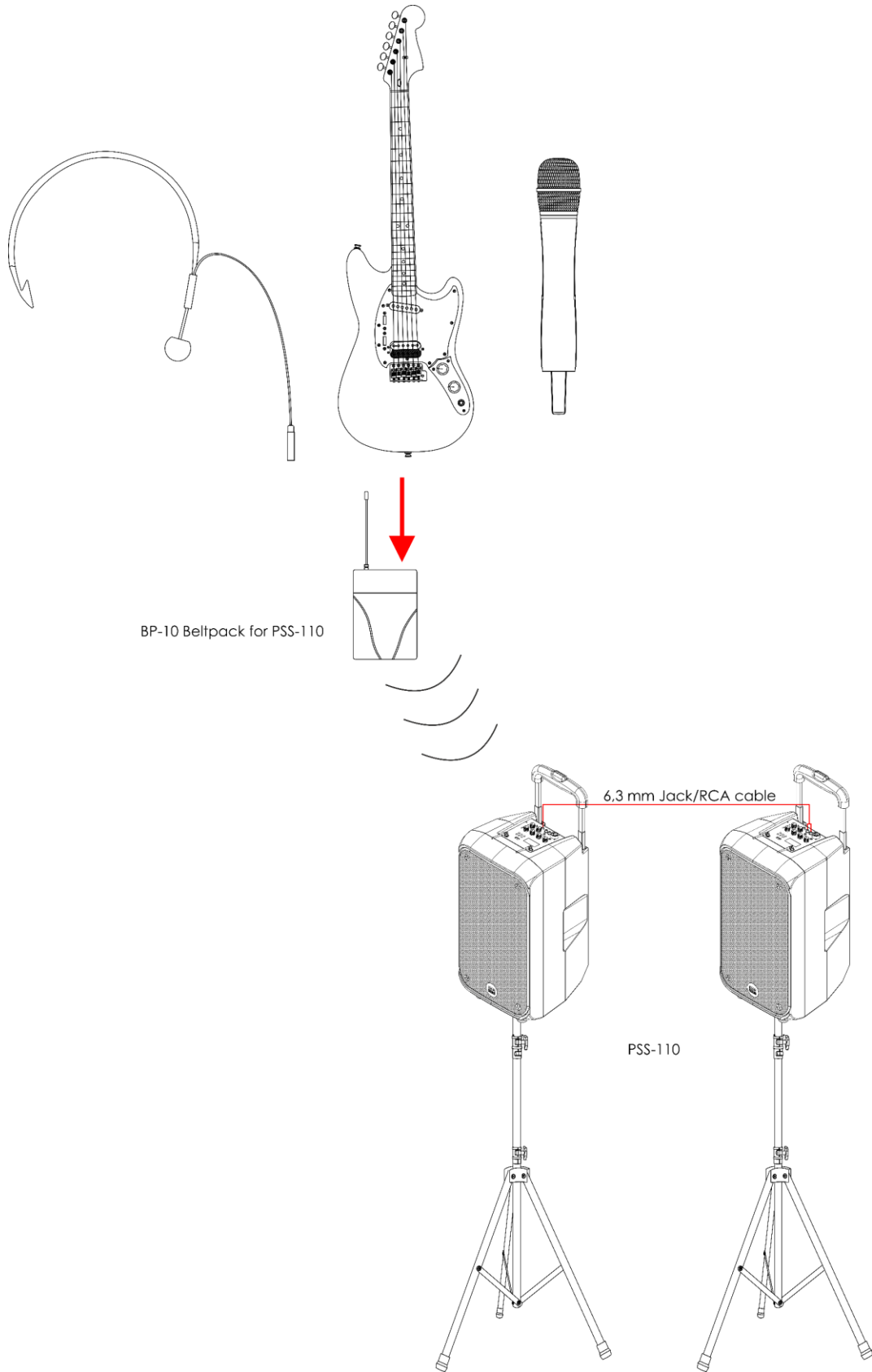


Fig. 11

## 5.7. Start-up

To operate the device:

- 01) Connect the headset, microphone or an instrument to the **4-pin connector IN (08)**.
- 02) Switch the PSS-110 on. Refer to the user manual of the PSS-110 for more information.
- 03) Switch the device on. See **5.1. Switching On/Off/Mute** on page 11 for more information.
- 04) Pair the devices. See **5.4. Connecting to the Receiver** on page 12 for more information.
- 05) Adjust squelch and volume on the PSS-110. Refer to the user manual of the PSS-110 for more information.
- 06) Adjust gain volume. See **5.5. Adjusting the Input Gain** on page 13 for more information.
- 07) Speak into the headset, microphone or play the instrument.

## 6. Troubleshooting

This troubleshooting guide contains solutions to problems which can be carried out by an ordinary person. The device does not contain user-serviceable parts.

Unauthorized modifications to the device will render the warranty void. Such modifications may result in injuries and material damage.

Refer servicing to instructed or skilled persons. Contact your Highlite International dealer in case the solution is not described in the table.

Problem	Probable cause(s)	Solution
The device does not function at all	No power to the device	<ul style="list-style-type: none"> <li>• Check if the device is switched on</li> <li>• Make sure the batteries are inserted properly</li> <li>• Replace the batteries with new ones</li> </ul>
No sound	Devices are not paired	<ul style="list-style-type: none"> <li>• Check if the device and the PSS-110 are paired</li> </ul>
	Bad connections	<ul style="list-style-type: none"> <li>• Check if the output connections between the PSS-110 and external equipment are correct</li> <li>• Headset/microphone/instrument is not connected to the device</li> </ul>
Bursts of noise or other audible signals present	Squelch on the PSS-110 is not adjusted	<ul style="list-style-type: none"> <li>• Adjust the squelch. Identify potential sources of interference (other RF-sources) and turn them off</li> </ul>
Momentary loss of sound as the device is moved around performing area	Dead spots are present	<ul style="list-style-type: none"> <li>• Reposition the PSS-110 and perform a walk-through test again. If audible drop-outs persist, mark the dead spots and avoid them during performance</li> </ul>



## 7. Maintenance

---

### 7.1. Preventive Maintenance



**Attention**

Before use, examine the device visually for any defects.

#### 7.1.1. Basic Cleaning Instructions

To clean the device, follow the steps below:

- 01) Switch the device off.
- 02) Clean the device with a soft, lint-free cloth.



**Attention**

- Do not immerse the device in liquid.
- Do not use alcohol or solvents.

### 7.2. Corrective Maintenance

The device does not contain user-serviceable parts. Do not open the device and do not modify the device.

Refer repairs and servicing to instructed or skilled persons. Contact your Highlite International dealer for more information.

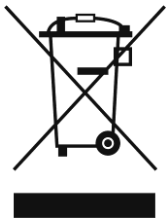
## 8. Deinstallation, Transportation and Storage

---

- Use the original packaging to transport the device, if possible.
- Clean the device before storing. Follow the cleaning instructions in chapter **7.1.1. Basic Cleaning Instructions** on page 16.
- Store the device in the original packaging, if possible.

## 9. Disposal

### Correct disposal of this product



Waste Electrical and Electronic Equipment

This symbol on the product, its packaging or documents indicates that the product shall not be treated as household waste. Dispose of this product by handing it to the respective collection point for recycling of electrical and electronic equipment. This is to avoid environmental damage or personal injury due to uncontrolled waste disposal. For more detailed information about recycling of this product contact the local authorities or the authorized dealer.

## 10. Approval



Hereby, Highlite International declares that the device, is in compliance with Directive 2014/53/EU (RED – Radio Equipment Directive).

The full text of the EU declaration of conformity is available at the respective product page on the website of Highlite International ([www.highlite.com](http://www.highlite.com)).

The DAP BP-10 Beltpack for PSS-110 is a Class 2 wireless audio device (Commission Decision 2000/299/EC).

Frequency: 615–638 MHz

	BE	IE	HR	CY
	LV	AT	PL	RO
	UK	NO		

### Exclusion of liability

The frequency ranges available for radio transmitters differ per country and region. Consult the respective national and/or regional authority as licensing or specific restrictions may apply for the use of the device. We do not take any responsibility in case the device cannot operate or cannot be used in your country/region or if it requires additional licensing. Before using the device, check the allowed frequencies in your country or region.



---

DAP

©2021 DAP