

**ENGLISH**

**VCB-6**

**V1**

Ordercode: D6531

Table of contents

---

**Warning** .....2  
    Safety Instructions.....2  
    Operating Determinations.....3  
    Return Procedure .....4  
    Claims .....4

**Description of the device**.....5

**Installation**.....5

**Set Up and Operation** .....5

**Troubleshooting** .....6

**Product Specifications**.....6

## Warning



**For your own safety, please read this user manual carefully  
before your initial start-up!**

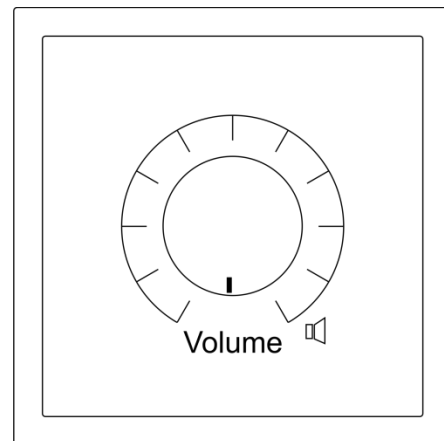


### Unpacking Instructions

Immediately upon receiving this product, carefully unpack the carton and check the contents to ensure that all parts are present, and have been received in good condition. Notify the dealer immediately and retain packing material for inspection if any parts appear damaged from shipping or the carton itself shows signs of mishandling. Save the carton and all packing materials. In the event that a device must be returned to the factory, it is important that the device is returned in the original factory box and packing.

### Your shipment includes:

- DAP Audio VCB-6 volume controller
- 4 mounting screws
- User manual



**CAUTION!**  
**Keep this device away from rain and moisture!**  
**Unplug mains lead before opening the housing!**



### Safety Instructions

Every person involved with the installation, operation and maintenance of this system has to:

- be qualified
- follow the instructions of this manual



**CAUTION! Be careful with your operations.**  
**With a dangerous voltage you can suffer  
a dangerous electric shock when touching the wires!**



Before the initial start-up, please make sure that there is no damage caused by transportation. Should there be any, consult your dealer and do not use the system.

To maintain perfect condition and to ensure a safe operation, it is absolutely necessary for the user to follow the safety instructions and warning notes written in this manual.

Please consider that damages caused by manual modifications to the system are not subject to warranty.

This system contains no user-serviceable parts. Refer servicing to qualified technicians only.

**IMPORTANT:**

The manufacturer will not accept liability for any resulting damages caused by the non-observance of this manual or any unauthorized modification to the system.

- Never remove warning or informative labels from the unit.
- Never use anything to cover the ground contact.
- Never leave any cables lying around.
- Do not set the input signal level higher than required to drive the equipment to full output.
- Do not switch the system on and off in short intervals, as this would reduce the system's life.
- Do not open the device and do not modify the device.
- Only use system indoors, avoid contact with water or other liquids.
- Avoid flames and do not put close to flammable liquids or gases.
- Make sure you do not use the wrong kind of cables or defective cables.
- Make sure that the available voltage is not higher than stated.
- Take care of your speaker wires, as they should be free of damage. Damaged speaker wires might result in poor sound quality and can damage amplifiers.
- No main power shall be connected to the device; doing so will cause damage.
- Extreme frequency boosts in connection with a high input signal level may lead to overdriving your equipment. Should this occur, it is necessary to reduce the input signal level.
- If system is dropped or struck, disconnect mains power supply immediately. Have a qualified engineer inspect for safety before operating.
- If the system has been exposed to drastic temperature fluctuation (e.g. after transportation), do not switch it on immediately. The arising condensation water might damage your system. Leave the system switched off until it has reached room temperature.
- If your Dap Audio device fails to work properly, discontinue use immediately. Pack the unit securely (preferably in the original packing material), and return it to your Dap Audio dealer for service.
- Repairs, servicing and electric connection must be carried out by a qualified technician.
- WARRANTY: Till one year after date of purchase.

**Operating Determinations**

If this system is operated in any other way, than the one described in this manual, the product may suffer damages and the warranty becomes void.

Any other operation may lead to dangers like short-circuit, burns, electric shock, etc.

*You endanger your own safety and the safety of others!*

*Improper installation can cause serious injuries and damage of property !*

## Return Procedure

Returned merchandise must be sent prepaid and in the original packing, call tags will not be issued. Package must be clearly labeled with a Return Authorization Number (RMA number). Products returned without an RMA number will be refused. Highlite will not accept the returned goods or any responsibility. Call Highlite 0031-455667723 or mail [aftersales@highlite.nl](mailto:aftersales@highlite.nl) and request an RMA prior to shipping the fixture. Be prepared to provide the model number, serial number and a brief description of the cause for the return. Be sure to properly pack fixture, any shipping damage resulting from inadequate packaging is the customer's responsibility. Highlite reserves the right to use its own discretion to repair or replace product(s). As a suggestion, proper UPS packing or double-boxing is always a safe method to use.

**Note: If you are given an RMA number, please include the following information on a piece of paper inside the box:**

- 01) Your name
- 02) Your address
- 03) Your phone number
- 04) A brief description of the symptoms

## Claims

The client has the obligation to check the delivered goods immediately upon delivery for any shortcomings and/or visible defects, or perform this check after our announcement that the goods are at their disposal. Damage incurred in shipping is the responsibility of the shipper; therefore the damage must be reported to the carrier upon receipt of merchandise.

It is the customer's responsibility to notify and submit claims with the shipper in the event that a fixture is damaged due to shipping. Transportation damage has to be reported to us within one day after receipt of the delivery.

Any return shipment has to be made post-paid at all times. Return shipments must be accompanied with a letter defining the reason for return shipment. Non-prepaid return shipments will be refused, unless otherwise agreed in writing.

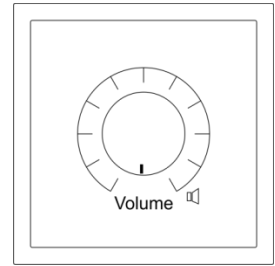
Complaints against us must be made known in writing or by fax within 10 working days after receipt of the invoice. After this period complaints will not be handled anymore.

Complaints will only then be considered if the client has so far complied with all parts of the agreement, regardless of the agreement of which the obligation is resulting.

## Description of the device

### Features

- Line voltage: 100V
- Power consumption: 6W ⚠ **Do not connect speakers which exceed 6W** ⚠
- Material: ABS
- Mounting: Flush, surface
- Mounting hole: Ø 48 mm
- Dimensions: 80 x 80 x 30 mm (LxWxH)
- Weight: 0,1 kg



### Optional accessories:

**D6536** – CB-1 (1-unit cover box for volume controller)

## Installation

Remove all packing materials from the VCB-6. Check that all foam and plastic padding is removed. Connect all cables.

**Always disconnect from electric mains power supply before cleaning or servicing.**  
**Damages caused by non-observance are not subject to warranty.**

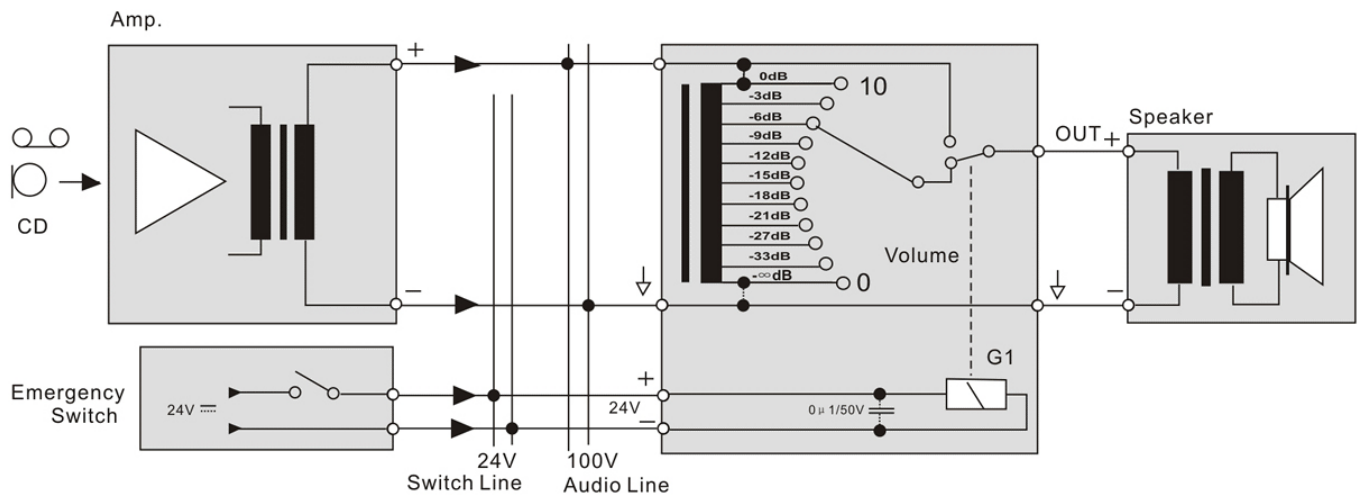


Fig. 01

## Set Up and Operation

Make sure that you connect the appropriate cables to the appropriate connectors.

- 01) Connect the main feed cable (+) from the amplifier to the connector # 1 – **IN**.
- 02) Connect the common cable (-) from the amplifier to the connector # 2 – **COM**.
- 03) Connect a common cable (-) to the connector # 3 – **COM**, and connect it to the common connector on your speaker.
- 04) Connect a main feed cable (+) to the connector # 4 – **OUT**, and connect it to the main feed connector on your speaker.
- 05) The VCB-6 is equipped with the mute function. Connect the common cable (-) from the emergency switch to the connector # 5 – **0V**, and the main feed cable (+) from the emergency switch to the connector # 6 – **24V**.
- 06) Now, if you press the emergency button, the circuit will open and the speaker output will be muted.

## Troubleshooting

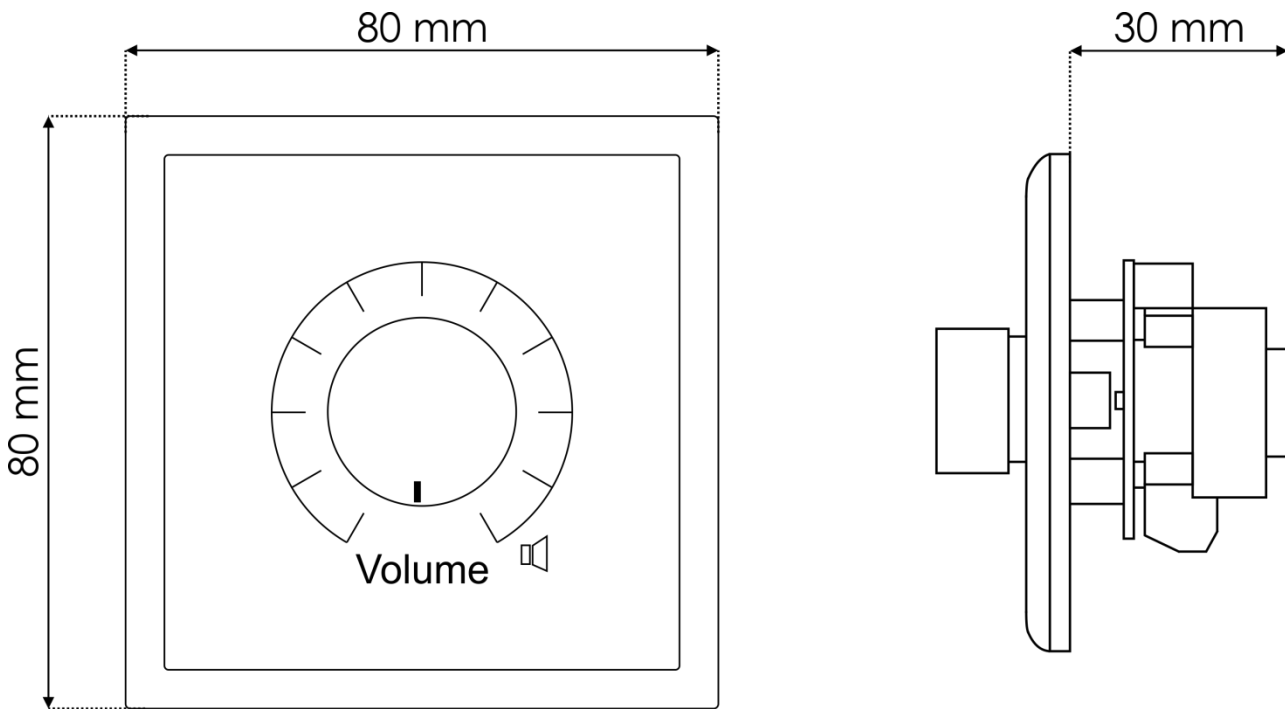
### DAP Audio VCB-6

This troubleshooting guide is meant to help solve simple problems. If a problem occurs, carry out the steps below in sequence until a solution is found. Once the unit operates properly, do not carry out following steps.

- 01) If the device does not operate properly, disconnect the device.
- 02) Check power from the wall, all cables, connections, etc.
- 03) If all of the above appears to be O.K., connect the unit again.
- 04) If nothing happens after 30 seconds, disconnect the device.
- 05) Return the device to your DAP Audio dealer.

## Product Specifications

Line voltage:	100V
Power consumption:	6W
Material:	ABS
Mounting::	flush, surface
Mounting hole:	Ø 48 mm
Dimensions:	80 x 80 x 30 mm (LxWxH)
Weight:	0,1 kg



Design and product specifications are subject to change without prior notice.



Website: [www.Dap-audio.info](http://www.Dap-audio.info)

Email: [service@highlite.nl](mailto:service@highlite.nl)



©2015 DAP Audio