

ENGLISH

DLD-84 8.4" LCD Display V1

Order code: 101206

Table of contents

Warning2
 Safety Instructions.....2
 Operating Determinations.....3
 Connection with the mains4
 Return Procedure4
 Claims4

Description of the device.....5
 Front5
 Back6

Installation.....6
 Table Stand Installation7
 19-inch Bracket Installation (101207)8

Setup and Operation9

Maintenance9

Troubleshooting9

Product Specifications.....9

Dimensions.....10

Warning



**For your own safety, please read this user manual carefully
before your initial start-up!**

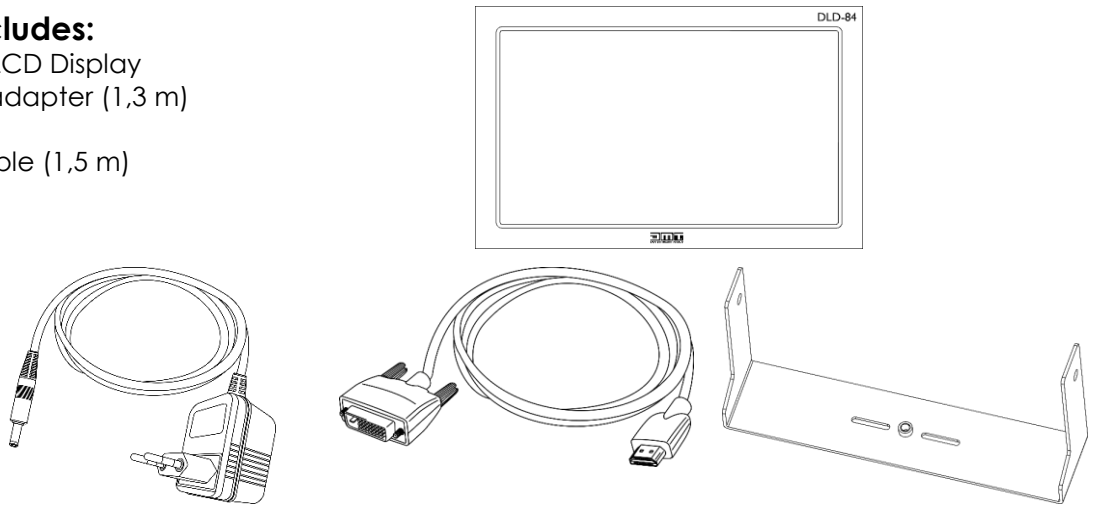


Unpacking Instructions

Immediately upon receiving this product, carefully unpack the carton and check the contents to ensure that all parts are present, and have been received in good condition. Notify the dealer immediately and retain packing material for inspection if any parts appear damaged from shipping or the carton itself shows signs of mishandling. Save the carton and all packing materials. In the event that a fixture must be returned to the factory, it is important that the fixture be returned in the original factory box and packing.

Your shipment includes:

- DMT DLD-84 8.4 LCD Display
- 12 V DC power adapter (1,3 m)
- 1 x table stand
- 1 x DVI/HDMI cable (1,5 m)
- User manual



CAUTION!

**Keep this device away from rain and moisture!
Unplug mains lead before opening the housing!**



Safety Instructions

Every person involved with the installation, operation and maintenance of this system has to:

- be qualified
- follow the instructions of this manual



**CAUTION! Be careful with your operations.
With a dangerous voltage you can suffer
a dangerous electric shock when touching the wires!**



Before your initial start-up, please make sure that there is no damage caused by transportation. Should there be any, consult your dealer and do not use the system.

To maintain perfect condition and to ensure a safe operation, it is absolutely necessary for the user to follow the safety instructions and warning notes written in this manual.

Please consider that damages caused by manual modifications to the system are not subject to warranty.

This system contains no user-serviceable parts. Refer servicing to qualified technicians only.

IMPORTANT:

The manufacturer will not accept liability for any resulting damages caused by the non-observance of this manual or any unauthorized modification to the system.

- Never let the power cord come into contact with other cables! Handle the power cord and all connections with the mains with particular caution!
- Never remove warning or informative labels from the unit.
- Never use anything to cover the ground contact.
- Never leave any cables lying around.
- Do not insert objects into air vents.
- Do not connect this system to a dimmer pack.
- Do not switch the system on and off in short intervals, as this would reduce the system's life.
- Do not open the device and do not modify the device.
- Only use system indoors, avoid contact with water or other liquids.
- Avoid flames and do not put close to flammable liquids or gases.
- Always disconnect power from the mains, when system is not used. Only handle the power cord by the plug. Never pull out the plug by tugging the power cord.
- Make sure you do not use the wrong kind of cables or defective cables.
- Make sure that the available voltage is not higher than stated on the rear panel.
- Make sure that the power cord is never crimped or damaged. Check the system and the power cord from time to time.
- If system is dropped or struck, disconnect mains power supply immediately. Have a qualified engineer inspect for safety before operating.
- If the system has been exposed to drastic temperature fluctuation (e.g. after transportation), do not switch it on immediately. The arising condensation water might damage your system. Leave the system switched off until it has reached room temperature.
- If your DMT device fails to work properly, discontinue use immediately. Pack the unit securely (preferably in the original packing material), and return it to your DMT dealer for service.
- Repairs, servicing and electric connection must be carried out by a qualified technician.
- WARRANTY: Till one year after date of purchase.

Operating Determinations

This system is not designed for permanent operation. Consistent operation breaks will ensure that the system will serve you for a long time without defects.

If this system is operated in any other way, than the one described in this manual, the product may suffer damages and the warranty becomes void.

Any other operation may lead to dangers like short-circuit, burns, electric shock, etc.


You endanger your own safety and the safety of others!

Improper installation can cause serious damage to people and property!

Connection with the mains

Connect the device to the mains with the power-plug.

Always pay attention, that the right color cable is connected to the right place.

International	EU Cable	UK Cable	US Cable	Pin
L	BROWN	RED	YELLOW/COPPER	PHASE
N	BLUE	BLACK	SILVER	NEUTRAL
	YELLOW/GREEN	GREEN	GREEN	PROTECTIVE GROUND

Make sure that the device is always connected properly to the earth!

Improper installation can cause serious damage to people and property!



Return Procedure



Returned merchandise must be sent prepaid and in the original packing, call tags will not be issued. Package must be clearly labeled with a Return Authorization Number (RMA number). Products returned without an RMA number will be refused. Highlite will not accept the returned goods or any responsibility. Call Highlite 0031-455667723 or mail offersales@highlite.com and request an RMA prior to shipping the fixture. Be prepared to provide the model number, serial number and a brief description of the cause for the return. Be sure to properly pack fixture, any shipping damage resulting from inadequate packaging is the customer's responsibility. Highlite reserves the right to use its own discretion to repair or replace product(s). As a suggestion, proper UPS packing or double-boxing is always a safe method to use.

Note: If you are given an RMA number, please include the following information on a piece of paper inside the box:

- 01) Your name
- 02) Your address
- 03) Your phone number
- 04) A brief description of the symptoms

Claims

The client has the obligation to check the delivered goods immediately upon delivery for any shortcomings and/or visible defects, or perform this check after our announcement that the goods are at their disposal. Damage incurred in shipping is the responsibility of the shipper; therefore the damage must be reported to the carrier upon receipt of merchandise.

It is the customer's responsibility to notify and submit claims with the shipper in the event that a fixture is damaged due to shipping. Transportation damage has to be reported to us within one day after receipt of the delivery.

Any return shipment has to be made post-paid at all times. Return shipments must be accompanied with a letter defining the reason for return shipment. Non-prepaid return shipments will be refused, unless otherwise agreed in writing.

Complaints against us must be made known in writing or by fax within 10 working days after receipt of the invoice. After this period complaints will not be handled anymore.

Complaints will only then be considered if the client has so far complied with all parts of the agreement, regardless of the agreement of which the obligation is resulting.

Description of the device

Features

The DMT DLD-84 is a table-mount monitor system. It can be used for VJ monitoring, surveillance systems and any other multimedia setup where monitoring is necessary. Optional 19-inch mounting bracket, for installation of 2 x DLD-84s, is available.

- Power supply: 12 V DC power adapter (included)
- Input voltage: 110–240 V AC, 50/60 Hz
- Resolution: 1280 x 720
- 1 x table stand (included)
- 1 x DVI to HDMI adapter (included)
- Dimensions: 205 x 129 x 37 mm (LxWxH) (without the table stand)
19" x 3U (LxH)
- Weight: 0,9 kg

Optional accessories

[101207](#) – 19" mounting bracket for 2 x DLD-84

Front

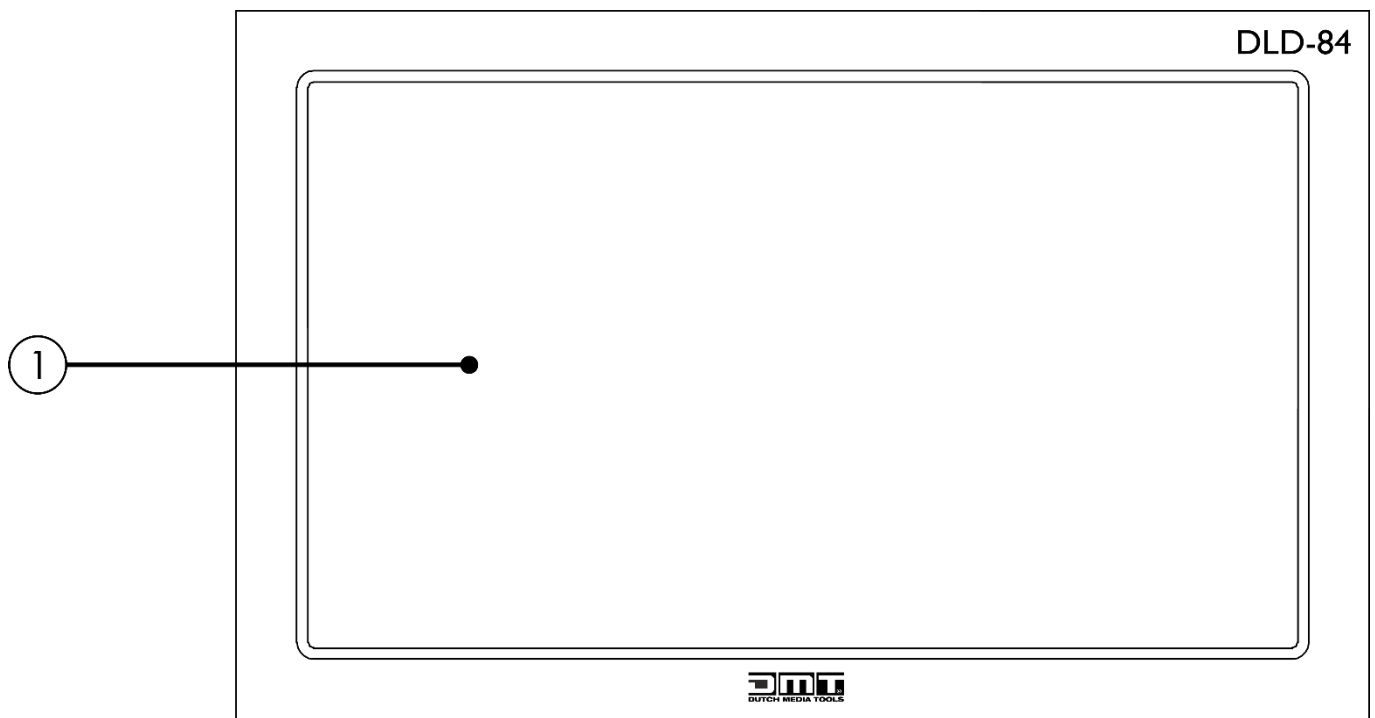


Fig. 01

01) LCD display

Back

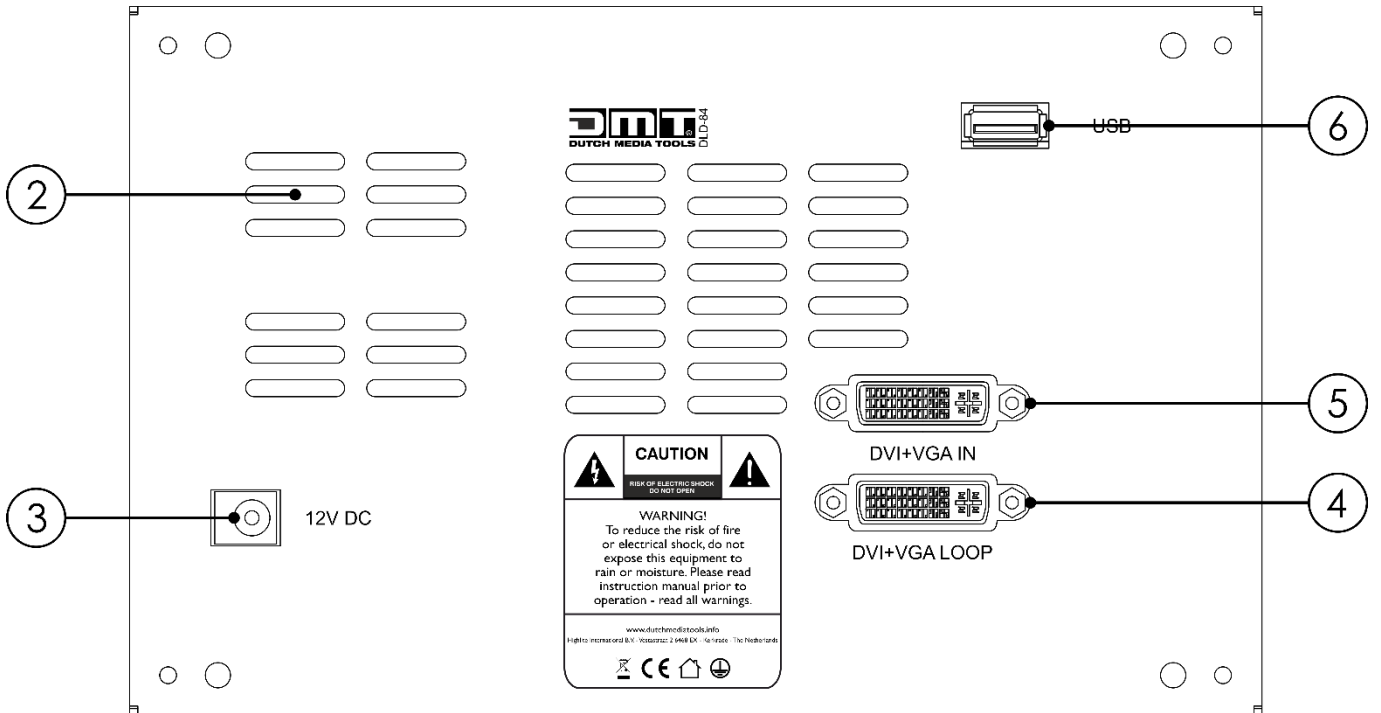


Fig. 02

- 02) **Cooling fan**
- 03) **12 V DC power adapter connector IN**
- 04) **DVI+VGA connector LOOP**
Connect the DLD-84 to another device, e.g. a video processor.
- 05) **DVI+VGA connector IN**
Connect the video output of a media device.
- 06) **USB A connector IN**
Connect a USB flash drive. The USB flash drive may contain **ONLY** firmware upgrade files.

Installation

Remove all packing materials from the device. Check if all foam and plastic padding is removed. Connect all cables.

Do not supply power before the whole system is set up and connected properly.

Always disconnect from electric mains power supply before cleaning or servicing.

Damages caused by non-observance are not subject to warranty.

Table Stand Installation

- 01) Insert the T-type nylon gaskets **(A)** into the mounting holes **(B)**.
- 02) Mount the DLD-84 to the table stand.
- 03) Insert the gaskets **(C)** and tighten the inclination screws **(D)**, in order to secure the table stand and the DLD-84 in position.
- 04) You can fit the table stand to a traditional camera bracket.

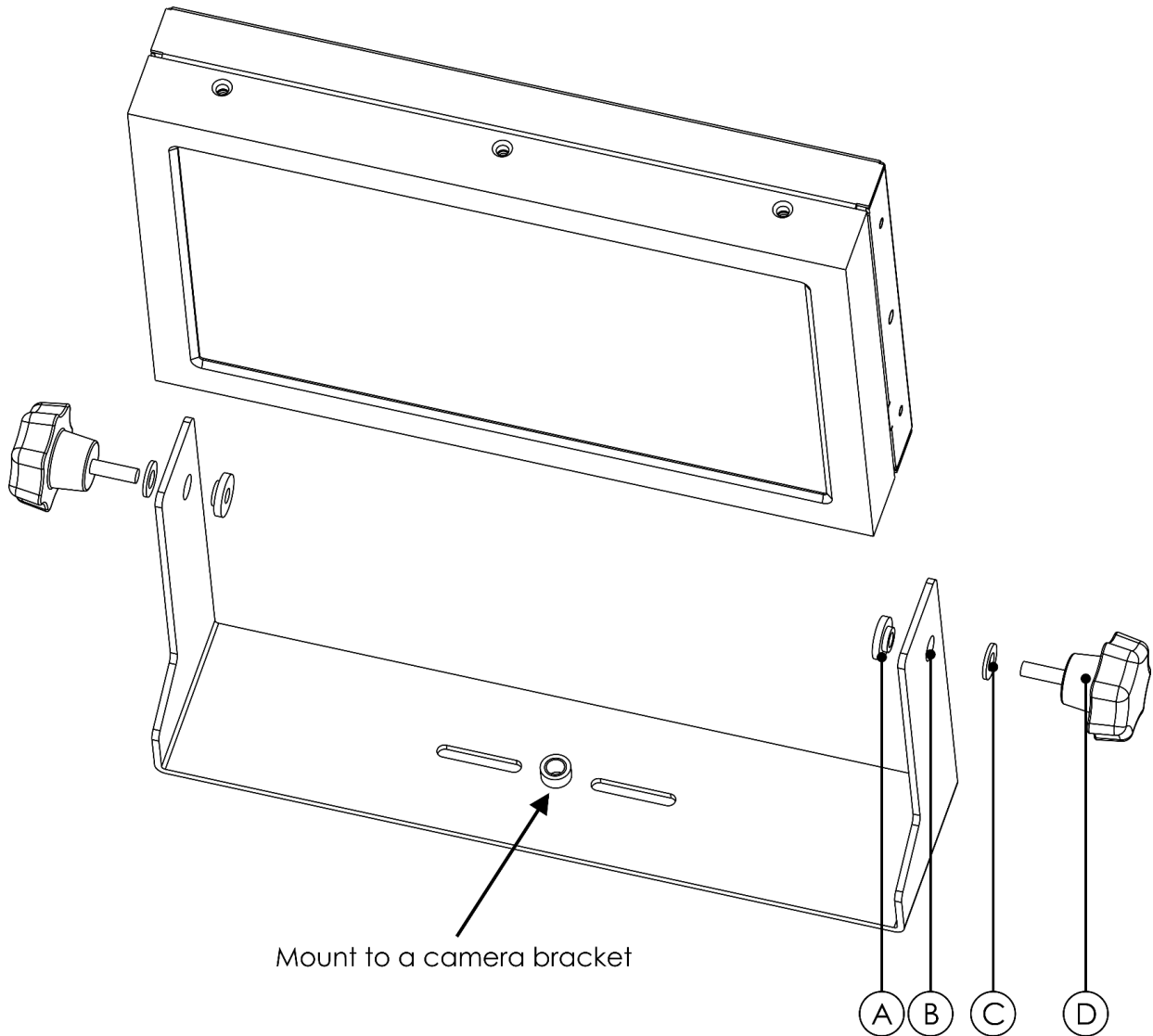


Fig. 03

19-inch Bracket Installation (101207)

01) Use the M4x8 screws (**G**) to attach the handles (**E**) to the racks (**F**).

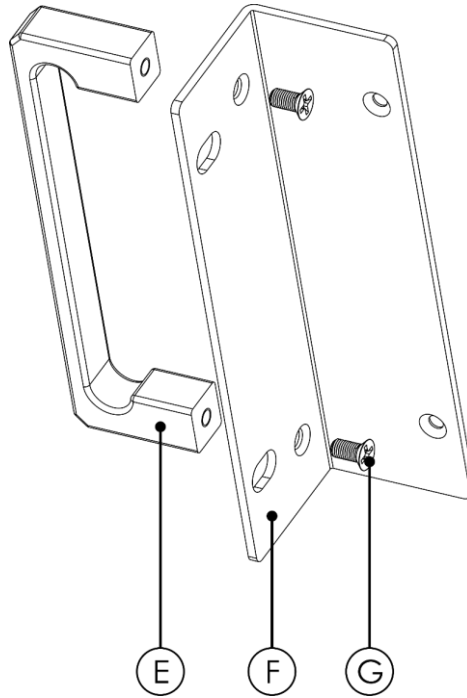


Fig. 04

02) Connect 2 DLD-84s by means of the attachment brackets (**J**) on the top and the bottom. Use the M4x8 screws (**G/K**) and the M3x5 screws (**H**).

03) Use the remaining 4 M3x5 screws (**H**) to connect the handles (**I**) to the DLD-84.

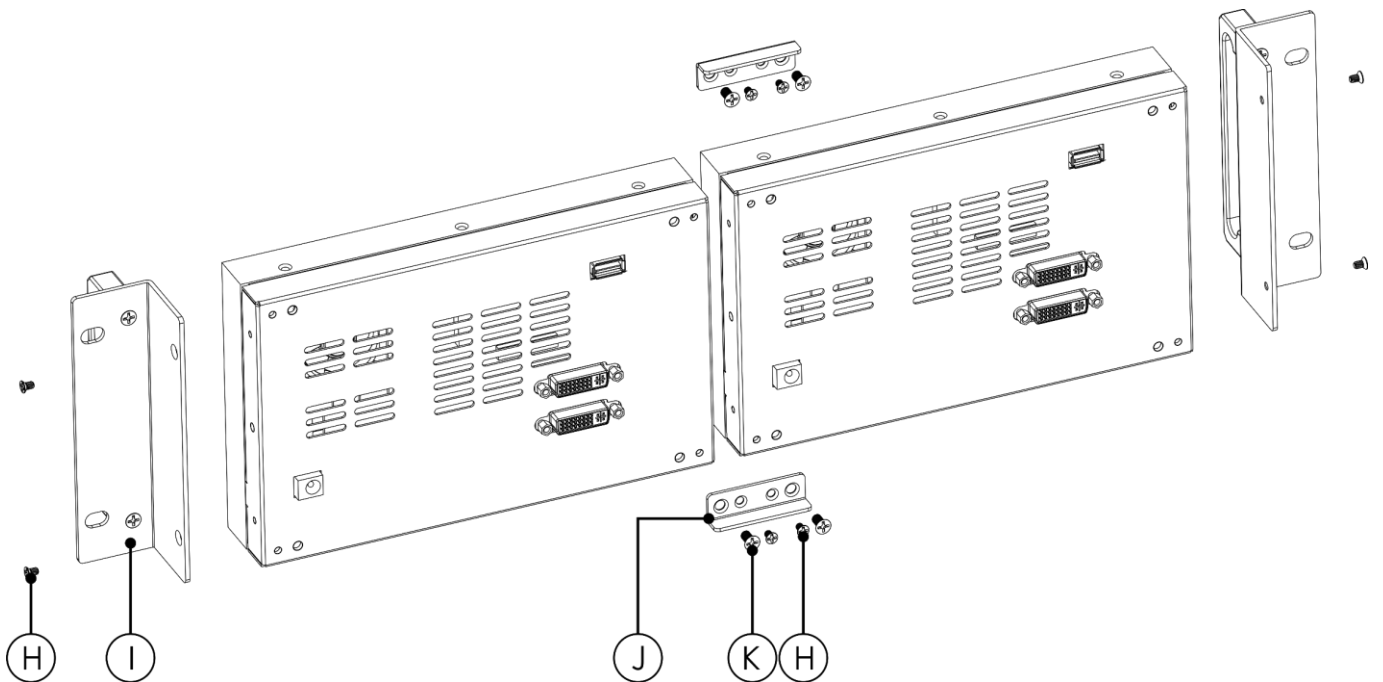


Fig. 05

Setup and Operation

Before plugging the unit in, always make sure that the power supply matches the product specification voltage. The power supply is printed on the back of the device.
Do not attempt to operate a 110V specification product on 240V power, or vice versa.

01) Connect the DLD-84 to your video devices using the proper cables.

CAUTION: Make sure that the power is off, when connecting the cables.

02) Power the DLD-84 up, using the power adapter.

Maintenance

The DMT DLD-84 8.4" LCD Display requires almost no maintenance. However, you should keep the unit clean. Disconnect the mains power supply, and then wipe the cover with a damp cloth. Do not immerse in liquid. Do not use alcohol or solvents.
Keep connections clean. Disconnect electric power, and then wipe the connections with a damp cloth. Make sure connections are thoroughly dry before linking equipment or supplying electric power.

Troubleshooting

DMT DLD-84 8.4" LCD Display

This troubleshooting guide is meant to help solve simple problems. If a problem occurs, carry out the steps below in sequence until a solution is found. Once the unit operates properly, do not carry out following steps.

- 01) If the device does not operate properly, unplug the device.
- 02) Check power from the wall, all cables, connections, etc.
- 03) If all of the above appears to be O.K., plug the unit in again.
- 04) If nothing happens after 30 seconds, unplug the device.
- 05) Return the device to your DMT dealer.

Product Specifications

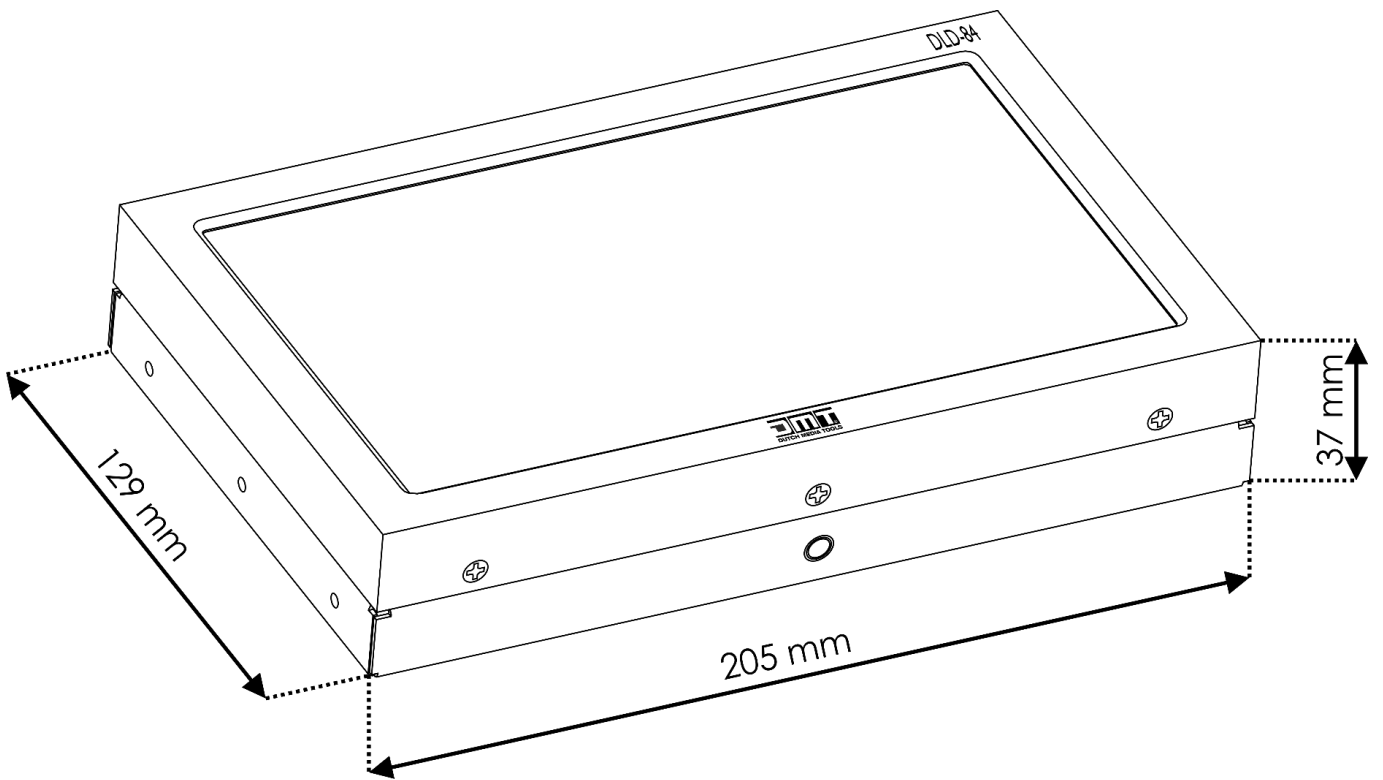
Power supply:	12 V DC power adapter (included)
Input voltage:	110–240 V AC, 50/60 Hz
Resolution:	1280 x 720
1 x DVI to HDMI adapter (included)	
Dimensions:	205 x 129 x 37 mm (LxWxH) (without the table stand) 19" x 3U (LxH)
Weight:	0,9 kg

Design and product specifications are subject to change without prior notice.



Website: www.dutch-media-tools.com
Email: service@highlite.com

Dimensions





©2019 D.M.T.