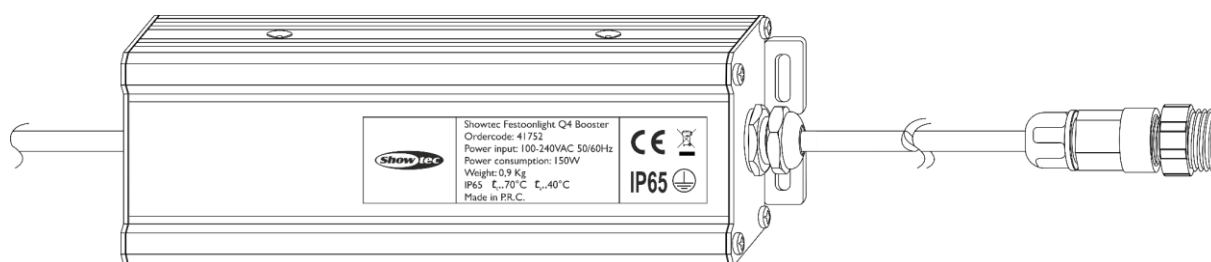




MANUAL



ENGLISH

Festoonlight Q4 Booster

V1

Order code: 41752

Table of contents

Warning2
Safety Instructions2
Operating Determinations3
Rigging4
Connection with the Mains.....4
Return Procedure5
Claims.....5

Description of the Device6
Booster6
Splitter Cable6

Installation.....7
Setup with 4–6 Festoonlight Q4 Strings.....7

Maintenance8

Product Specifications8

Dimensions.....9

Warning



**For your own safety, please read this user manual carefully
before your initial start-up!**

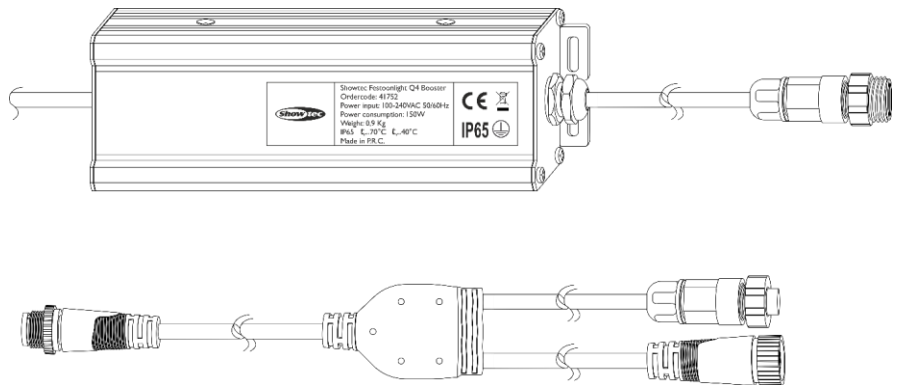


Unpacking Instructions

Immediately upon receiving this product, carefully unpack the carton and check the contents to ensure that all parts are present, and have been received in good condition. Notify the dealer immediately and retain packing material for inspection if any parts appear damaged from shipping or the carton itself shows signs of mishandling. Save the carton and all packing materials. In the event that a fixture must be returned to the factory, it is important that the fixture will be returned in the original factory box and packing.

Your shipment includes:

- Showtec Festoonlight Q4 Booster with 1,7 m power cord
- Splitter cable (2 m)
- User manual



Safety Instructions

Every person involved with the installation, operation and maintenance of this device has to:

- be qualified
- follow the instructions of this manual



**CAUTION! Be careful with your operations.
With a dangerous voltage you can suffer
a dangerous electric shock when touching the wires!**



Before the initial start-up, please make sure that there is no damage caused by transportation. Should there be any, consult your dealer and do not use the device.

To maintain perfect condition and to ensure a safe operation, it is absolutely necessary for the user to follow the safety instructions and warning notes contained in this manual.

Please consider that damages caused by manual modifications to the device are not subject to warranty.

This device contains no user-serviceable parts. Refer servicing to qualified technicians only.

IMPORTANT:

The manufacturer will not accept liability for any resulting damages caused by the non-observance of this manual or any unauthorized modification to the device.

- Never let the power cord come into contact with other cables! Handle the power cord and all connections with the mains with particular caution!
- Never remove warning or informative labels from the unit.
- Never use anything to cover the ground contact.
- Never leave any cables lying around.
- Do not open the device. It does not contain user-serviceable parts.
- Do not modify or cut any part of the cable. Do not use if any part of the cable has been cut or modified.
- Do not hang using screws, nails, staples, or any other sharp fasteners that may pierce, abrade, or otherwise damage the cable.
- Do not secure the cable with staples or nails, or place on sharp hooks or nails.
- Only operate the device after having familiarized with its functions.
- Avoid flames and do not put close to flammable liquids or gases.
- Always disconnect power from the mains, when device is not used or before cleaning!
- This product is not intended for permanent installation.
- This product may be exposed to rain and moisture.
- Make sure that the available voltage is not higher than stated on the information label.
- Make sure that the cables are never crimped or damaged. Check the device and the cables from time to time.
- If device was dropped or struck, disconnect mains power supply immediately. Have a qualified engineer inspect for safety before operating.
- If the device has been exposed to drastic temperature fluctuation (e.g. after transportation), do not switch it on immediately. The arising condensation water might damage your device. Leave the device switched off until it has reached room temperature.
- If your Showtec device fails to work properly, discontinue the use immediately. Pack the unit securely (preferably in the original packing material), and return it to your Showtec dealer for service.
- For adult use only. The fixture must be installed beyond the reach of children. Never leave the unit running unattended.
- This product is intended for temporary outdoor use (IP65). Do not expose the product to conditions which exceed the product's Ingress Protection (IP) rating.
- The user is responsible for correct positioning and operating of the Booster. The manufacturer will not accept liability for damages caused by the misuse or incorrect installation of this device.
- This device falls under protection class I. Therefore it is essential to connect the yellow/green conductor to earth.
- Repairs, servicing and electric connection must be carried out by a qualified technician.
- WARRANTY: Till one year after date of purchase.

Operating Determinations

- This device is not designed for permanent operation. Consistent operation breaks will ensure that the device will serve you for a long time without defects.
- The maximum ambient temperature $t_a = 40\text{ °C}$ must never be exceeded.
- In order to eliminate wear and improve the device's lifespan, during periods of non-use, completely disconnect from power source via breaker or by unplugging.
- The relative humidity must not exceed 50 % with an ambient temperature of 40 °C .
- If this device is operated in any other way, than the one described in this manual, the product may suffer damages and the warranty becomes void.
- Any other operation may lead to dangers like short-circuit, burns, electric shock, crash etc.

You endanger your own safety and the safety of others!

Rigging

Please follow the European and national guidelines concerning rigging, trussing and all other safety issues.

Improper installation can cause serious injuries and/or damage of property!


The Booster can be placed on a flat surface or mounted to any kind of truss with suitable cable ties.

Do not secure the cable with staples or nails, or place on sharp hooks or nails.

Connection with the Mains

Connect the device to the mains with the power plug. Make sure the power outlet is suitable for outdoor use.

Always check if the right color cable is connected to the right place.

International	EU Cable	UK Cable	US Cable	Pin
L	BROWN	RED	YELLOW/COPPER	PHASE
N	BLUE	BLACK	SILVER	NEUTRAL
	YELLOW/GREEN	GREEN	GREEN	PROTECTIVE GROUND

Make sure that the device is always properly connected to the earth!

Improper installation can cause serious injuries and/or damage of property!



Return Procedure

Returned merchandise must be sent prepaid and in the original packing, call tags will not be issued. Package must be clearly labeled with a Return Authorization Number (RMA number). Products returned without an RMA number will be refused. Highlite will not accept the returned goods or any responsibility. Call Highlite 0031-455667723 or mail offersales@highlite.com and request an RMA prior to shipping the fixture. Be prepared to provide the model number, serial number and a brief description of the cause for the return. Be sure to properly pack fixture, any shipping damage resulting from inadequate packaging is the customer's responsibility. Highlite reserves the right to use its own discretion to repair or replace product(s). As a suggestion, proper UPS packing or double-boxing is always a safe method to use.

Note: If you are given an RMA number, please include the following information on a piece of paper inside the box:

- 01) Your name
- 02) Your address
- 03) Your phone number
- 04) A brief description of the symptoms

Claims

The client has the obligation to check the delivered goods immediately upon delivery for any shortcomings and/or visible defects, or perform this check after our announcement that the goods are at their disposal. Damage incurred in shipping is the responsibility of the shipper; therefore the damage must be reported to the carrier upon receipt of merchandise.

It is the customer's responsibility to report and submit claims with the shipper in the event that a fixture is damaged due to shipping. Transportation damage has to be reported to us within one day after receipt of the delivery.

Any return shipment has to be made post-paid at all times. Return shipments must be accompanied with a letter defining the reason for return shipment. Non-prepaid return shipments will be refused, unless agreed otherwise in writing.

Complaints against us must be prepared in writing or sent by fax within 10 working days after receipt of the invoice. After this period complaints will not be handled anymore.

Complaints will only then be considered if the client has so far complied with all parts of the agreement, regardless of the agreement from which the obligation is resulting.

Description of the Device

Features

The Festoonlight Q4 Booster is designed to be operated with the Festoonlight Q4 Controller and Festoonlight Q4 Strings. It is required for setups with 4-6 strings.

- Power input: 100–240 V AC, 50/60 Hz
- Power output: 26 V DC, 5,7 A
- Power consumption: 150 W
- IP rating: IP65
- Dimensions (booster): 208 x 51 x 38,6 mm (L x W x H)
- Power cord (booster): 1700 mm (L)
- Splitter cable: included
- Dimensions (splitter cable): 2000 mm (L)
- Weight: 0,9 kg



The Festoonlight Q4 Booster is designed to be operated ONLY with the Festoonlight Q4 Controller and the Festoonlight Q4 Strings.

[41750](#) – Festoonlight Q4 Controller

[41751](#) – Festoonlight Q4 String

Booster

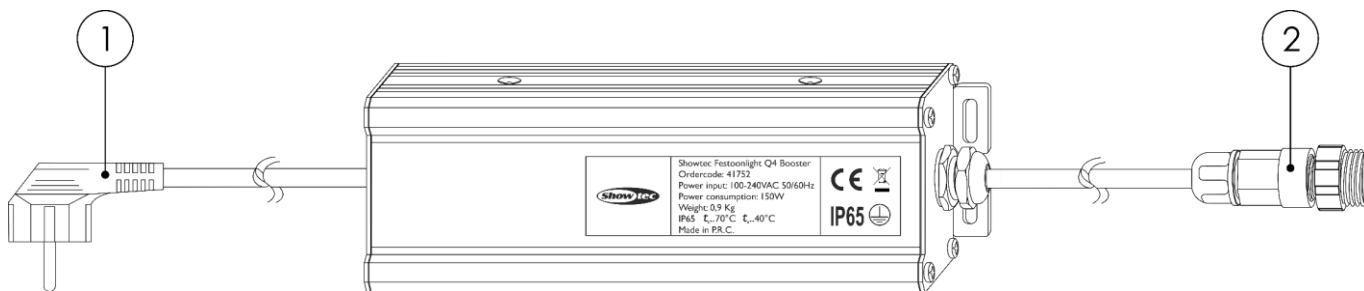


Fig. 01

01) Schuko power plug

02) Connector (to the splitter cable)

Splitter Cable

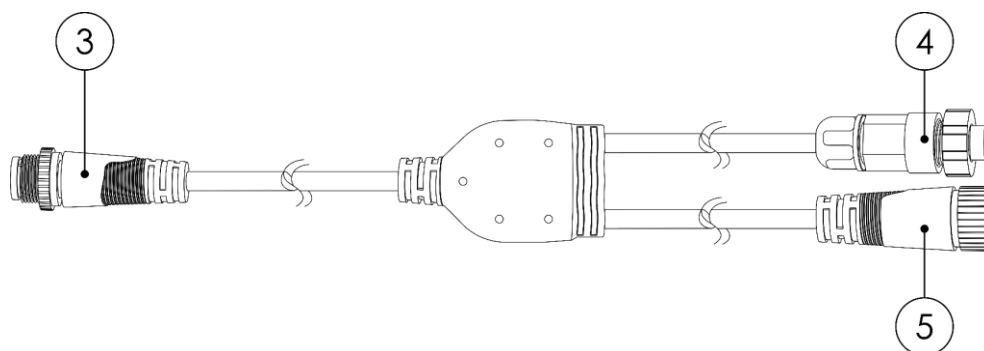


Fig. 02

03) Connector IN (from the 3rd Festoonlight Q4 String)

04) Connector (to the booster)

05) Connector OUT (to the 4th Festoonlight Q4 String)

Installation

Remove all packing materials from the Festoonlight Q4 Booster.



The Festoonlight Q4 Controller must be installed indoors.
The Festoonlight Q4 Booster and Festoonlight Q4 Strings can be installed outdoors. However, they are not designed for permanent outdoor use.
Make sure the power outlet for the Festoonlight Q4 Booster is suitable for outdoor use.

Setup with 4–6 Festoonlight Q4 Strings

- 01) Connect the splitter cable of the Festoonlight Q4 Booster to the 3rd Festoonlight Q4 String in the setup.
- 02) Connect the booster to the splitter cable
- 03) Connect the 4th string to the splitter cable of the booster.
- 04) Connect the 5th and the 6th strings in a continuous line to the 4th string.

Note: You can connect up to 6 Festoonlight Q4 Strings if you use a booster.

- 05) Terminate the open end of the last string on the line with the end cap delivered with the Festoonlight Q4 String.
- 06) Connect the power plug of booster to a power outlet.

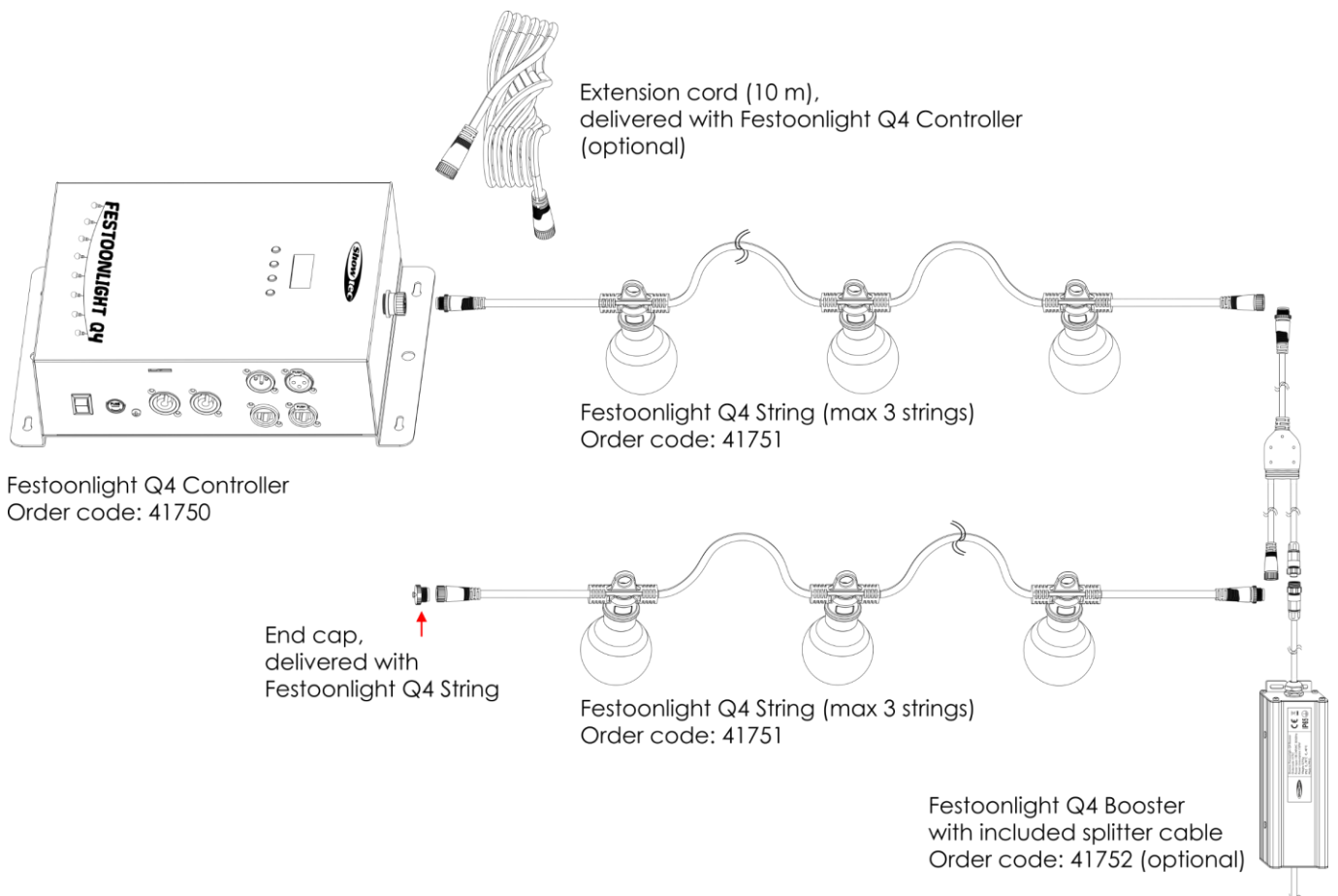


Fig. 03

Do not supply power before the whole system is set up and connected properly.
Always disconnect from electric mains power supply before cleaning or servicing.
Damages caused by non-observance are not subject to warranty.

Maintenance

Inspect all parts and mounting points of the Festoonlight Q4 Booster before use. Do not use if parts are weakened, discolored, brittle, or otherwise degraded, damaged, or worn.

The Festoonlight Q4 Booster requires almost no maintenance. However, you should keep the unit clean. Disconnect the mains power supply, and then wipe the device with a damp cloth. Do not immerse in liquid. Do not use alcohol or solvents. Keep connections clean. Disconnect electric power, and then wipe the connections with a damp cloth. Make sure connections are thoroughly dry before linking equipment or supplying electric power.

Product Specifications

Model:	Showtec Festoonlight Q4 Booster
Power input:	100–240 V AC, 50/60 Hz
Power output:	26 V DC, 5,7 A
Power consumption:	150 W
Dimensions (booster):	208 x 51 x 38,6 mm (L x W x H)
Power cord (booster):	1700 mm (L)
Weight:	0,9 kg
IP rating:	IP65
Splitter cable:	Included
Dimensions (splitter cable):	2000 mm (L)
Max. ambient temperature t_a :	40 °C

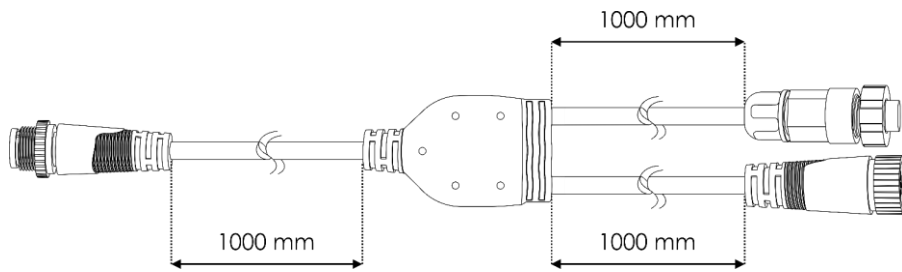
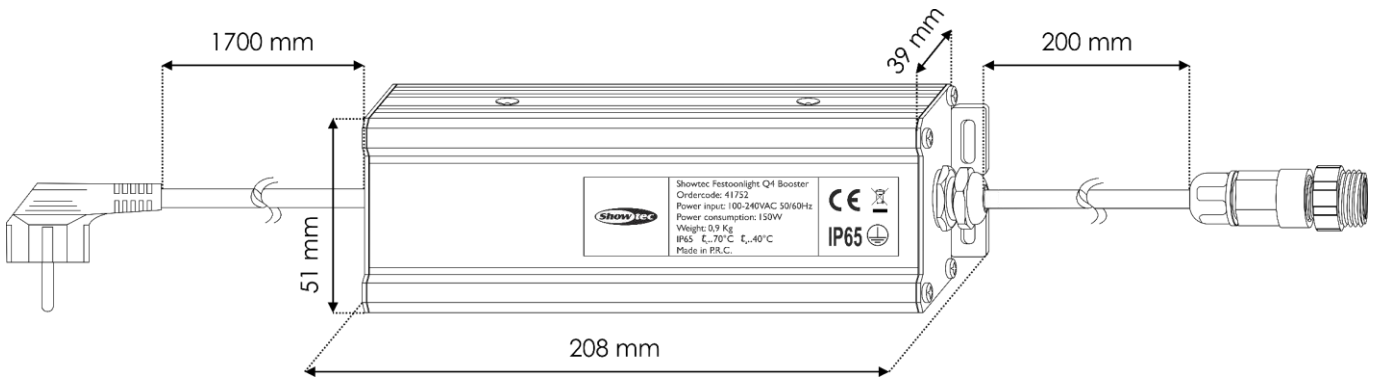
Design and product specifications are subject to change without prior notice.



Website: www.Showtec.info

Email: service@highlite.com

Dimensions





©2019 Showtec