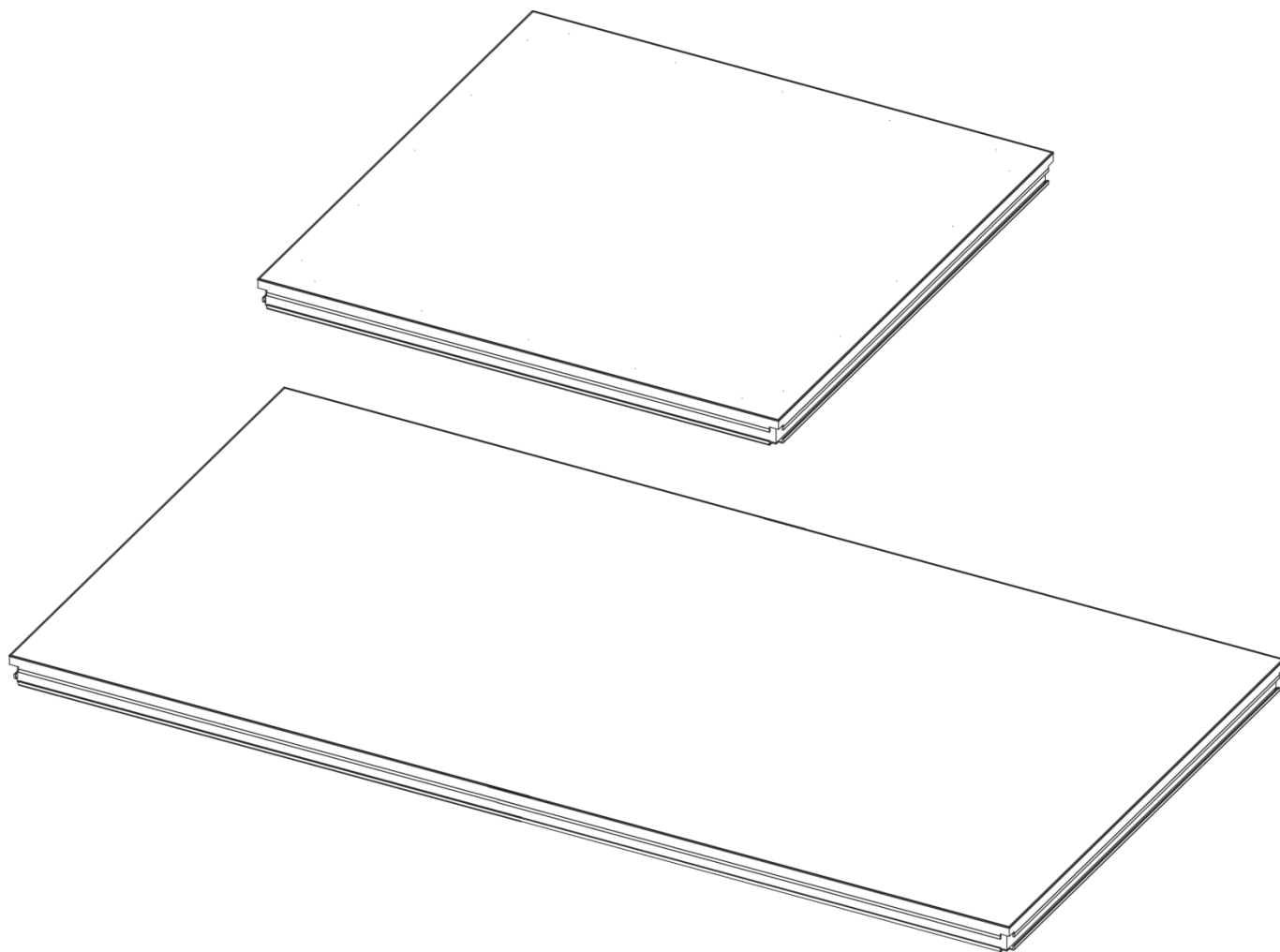




MANUAL



ENGLISH

Spider Stage 1 x 1 m / 2 x 1 m V3

Ordercode: 70610/70620

Table of contents

Warning2
 Safety Instructions2
 Operating Determinations3
 Return Procedure3
 Claims3

Description of the device4
 Overview5

Installation6
 One Spider Stage6
 Spider Stage 1 x 1 m6
 Spider Stage 2 x 1 m6
 Multiple Spider Stages7
 Spider Stage Clamp Installation7
 Spider Stage Self-leveling Insert Installation8
 Installation Example9

Examples10
 12 m² Spider Stage10
 60 m² Spider Stage11

Maintenance12

Product Specifications12

Notes13

Warning



**For your own safety, please read this user manual carefully
before your initial start-up!**

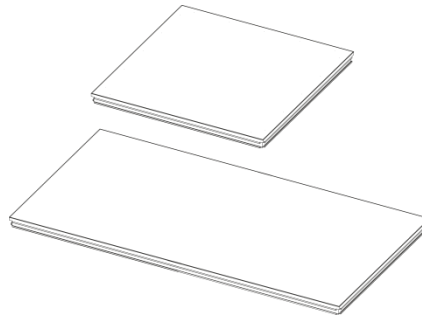


Unpacking Instructions

Immediately upon receiving this product, carefully unpack the carton and check the contents to ensure that all parts are present, and have been received in good condition. Notify the dealer immediately and retain packing material for inspection if any parts appear damaged from shipping or the carton itself shows signs of mishandling. Save the carton and all packing materials. In the event that a fixture must be returned to the factory, it is important that the fixture be returned in the original factory box and packing.

Your shipment includes:

- Showtec Spider Stage 1 x 1 m / 2 x 1 m
- User manual



Safety Instructions

Every person involved with the installation, operation and maintenance of this device has to:

- be qualified
- follow the instructions of this manual

Before assembly, please make sure that there is no damage caused by transportation. Should there be any, consult your dealer and do not use the device.

To maintain perfect condition and to ensure a safe usage, it is absolutely necessary for the user to follow the safety instructions and warning notes contained in this manual.

Please consider that damages caused by manual modifications to the device are not subject to warranty.

This device contains no user-serviceable parts. Refer servicing to qualified technicians only.

IMPORTANT:

The manufacturer will not accept liability for any resulting damages caused by the non-observance of this manual or any unauthorized modification to the device.

- Never remove warning or informative labels from the unit.
- Avoid brute force when installing the device.
- Only use the device after having checked if all screws are tightly fastened.
- If your Showtec device fails to work properly, discontinue the use immediately. Pack the unit securely (preferably in the original packing material), and return it to your Showtec dealer for service.
- The user is responsible for correct positioning of the Spider Stage. The manufacturer will not accept liability for damages caused by the misuse or incorrect installation of this device.
- Repairs and servicing must be carried out by a qualified technician.
- **WARRANTY:** Till one year after date of purchase.

Operating Determinations

- If this device is used in any other way than the one described in this manual, the product may suffer damages and the warranty becomes void.
- Any other operation may lead to dangers like crash, collapse etc.

You endanger your own safety and the safety of others!



Return Procedure

Returned merchandise must be sent prepaid and in the original packing, call tags will not be issued. Package must be clearly labeled with a Return Authorization Number (RMA number). Products returned without an RMA number will be refused. Highlite will not accept the returned goods or any responsibility. Call Highlite 0031-455667723 or mail aftersales@highlite.nl and request an RMA prior to shipping the fixture. Be prepared to provide the model number, serial number and a brief description of the cause for the return. Be sure to properly pack fixture, any shipping damage resulting from inadequate packaging is the customer's responsibility. Highlite reserves the right to use its own discretion to repair or replace product(s). As a suggestion, proper UPS packing or double-boxing is always a safe method to use.

Note: If you are given an RMA number, please include the following information on a piece of paper inside the box:

- 01) Your name
- 02) Your address
- 03) Your phone number
- 04) A brief description of the symptoms

Claims

The client has the obligation to check the delivered goods immediately upon delivery for any shortcomings and/or visible defects, or perform this check after our announcement that the goods are at their disposal. Damage incurred in shipping is the responsibility of the shipper; therefore the damage must be reported to the carrier upon receipt of merchandise.

It is the customer's responsibility to report and submit claims with the shipper in the event that a fixture is damaged due to shipping. Transportation damage has to be reported to us within one day after receipt of the delivery.

Any return shipment has to be made post-paid at all times. Return shipments must be accompanied with a letter defining the reason for return shipment. Non-prepaid return shipments will be refused, unless agreed otherwise in writing.

Complaints against us must be prepared in writing or sent by fax within 10 working days after receipt of the invoice. After this period complaints will not be handled anymore.

Complaints will only then be considered if the client has so far complied with all parts of the agreement, regardless of the agreement from which the obligation is resulting.

Description of the device

Features

The Spider Stage is a stage set featuring a non-slip surface structure. It is perfectly suitable for outdoor use. Thanks to its efficient aluminum construction, the Spider Stage is extremely easy to set up and it complies with the most strict safety standards.

Apart from purchasing the two separate stage sets (**Spider Stage 1 x 1 m** and **Spider Stage 2 x 1 m**) it is also possible to combine two **Spider Stage 1 x 1 m** sets to create one 2 x 1 m set, as two or more 1 x 1 m stage decks can be attached to each other by means of the special clamp.

- Maximum load: 500 kg/m²
- Material: Aluminum (6063-T66)
- Dimensions: 1000 x 1000 x 55 mm (LxWxH) / 2000 x 1000 x 55 mm (LxWxH)
- Weight: 12 kg / 24 kg

Spider Stage 1 x 1 m

70610 – Spider Stage Deck 1 x 1 m

Spider Stage 2 x 1 m

70620 – Spider Stage Deck 2 x 1 m

Spider Stage assembly

70611 – Spider Legs 20 cm (1 x 1 m)

70612 – Spider Legs 40 cm (1 x 1 m)

70613 – Spider Legs 60 cm (1 x 1 m)

70630 – Spider Stage Clamp

70637 – Spider Stage Self-leveling Insert

Spider Stage accessories

70631 – Spider Guard Rail (1 m)

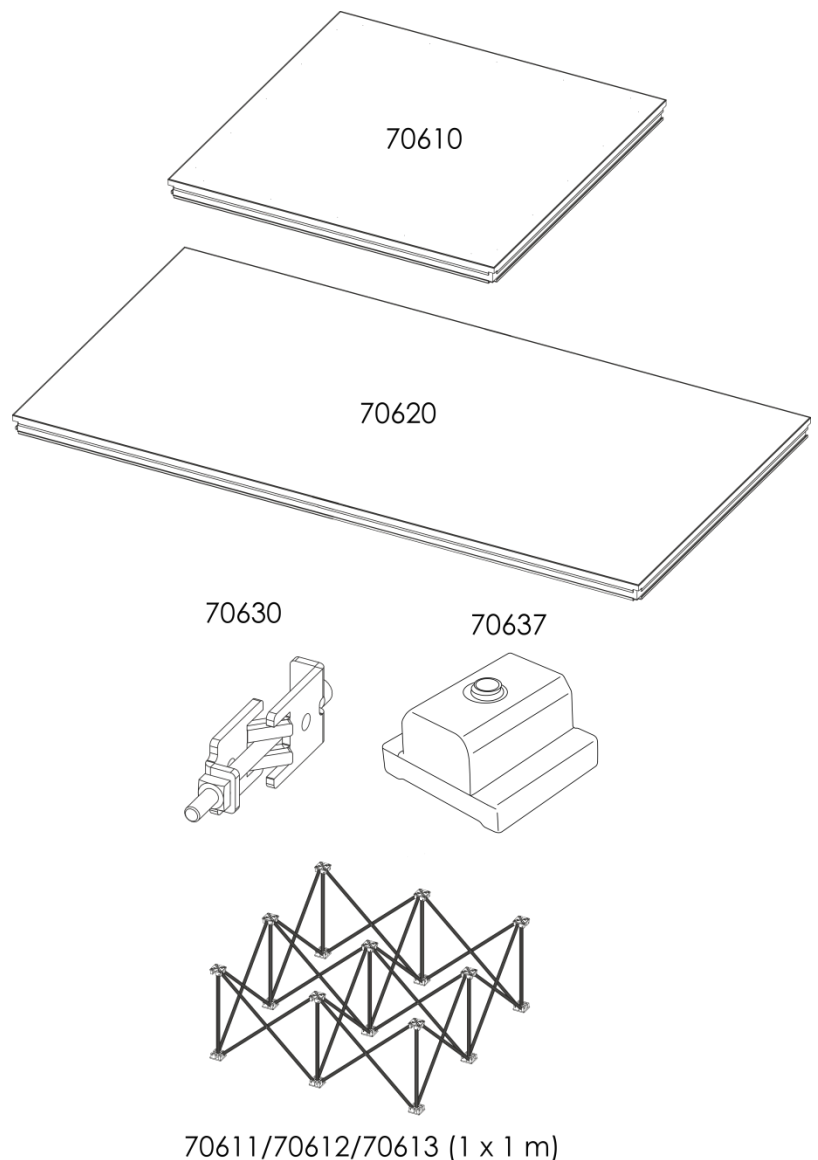
70632 – Spider Guard Rail Clamp

70633 – Spider Stairs 20+40 cm (2 steps)

70634 – Spider Stairs 60 cm (1 step)

70635 – Spider Stairs 80 cm (1 step)

70638 – Spider Stage Assembly Insert



Overview

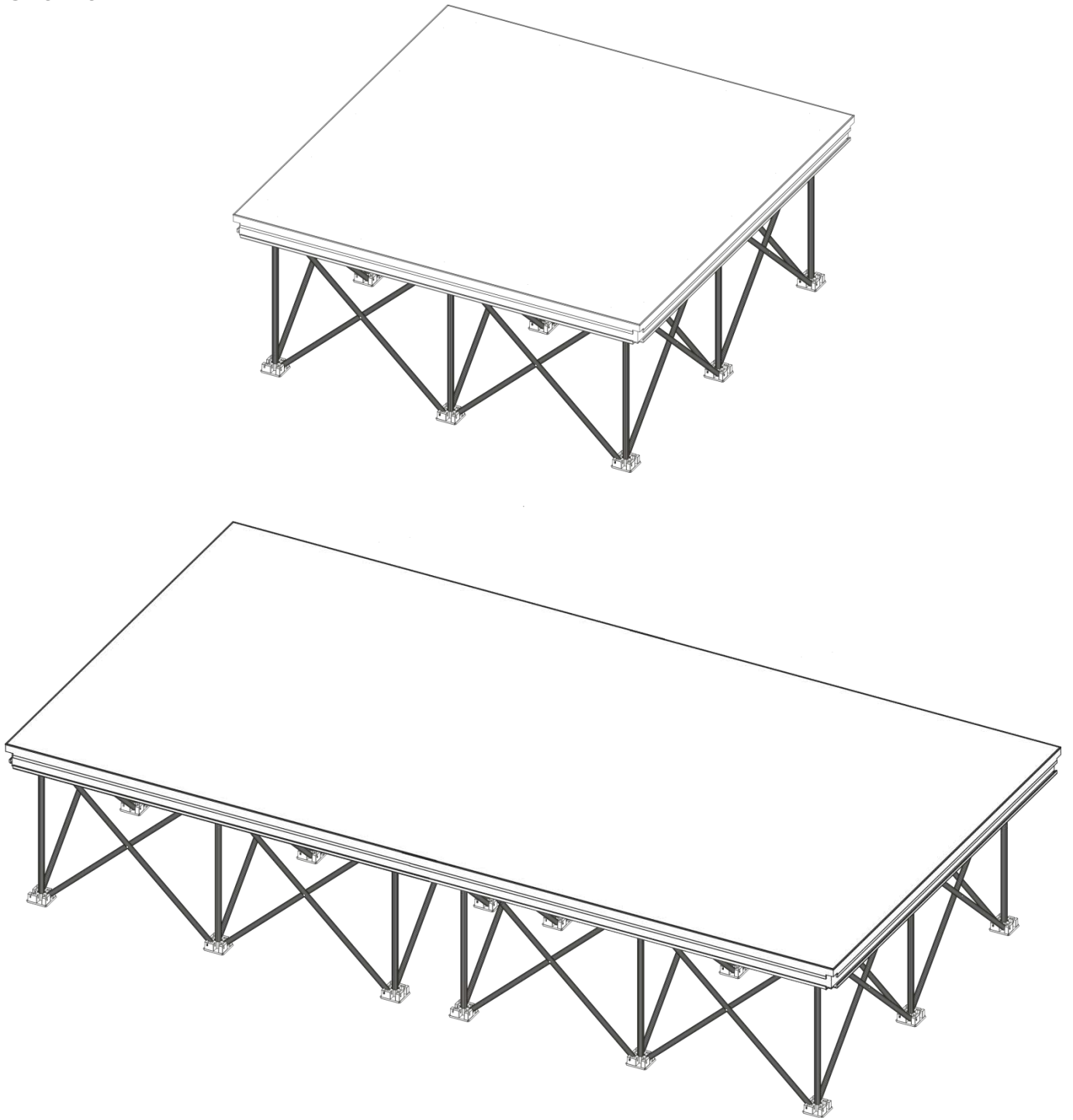


Fig. 01

Installation

Remove all packing materials from the Spider Stage. Check if all foam and plastic padding is removed.
Damages caused by non-observance are not subject to warranty.

One Spider Stage

- 01) Unpack the Spider Stage deck and the Spider legs.
- 02) Extend the Spider legs to about 80% of their maximum width.
- 03) Place the stage deck upon the Spider legs.
- 04) Completely extend the legs until they click into place.
- 05) Check whether all the elements are fitted properly.

Spider Stage 1 x 1 m

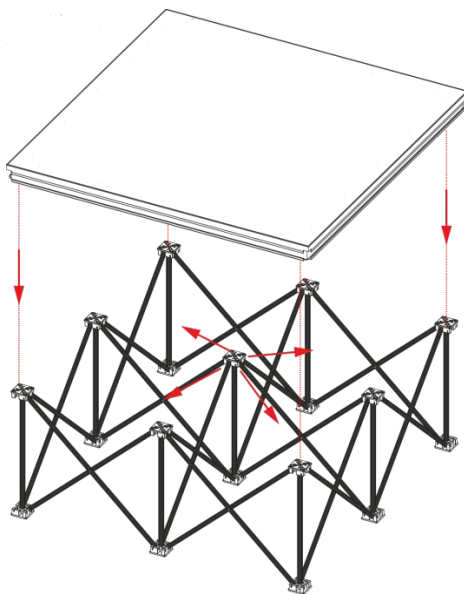


Fig. 02

Spider Stage 2 x 1 m

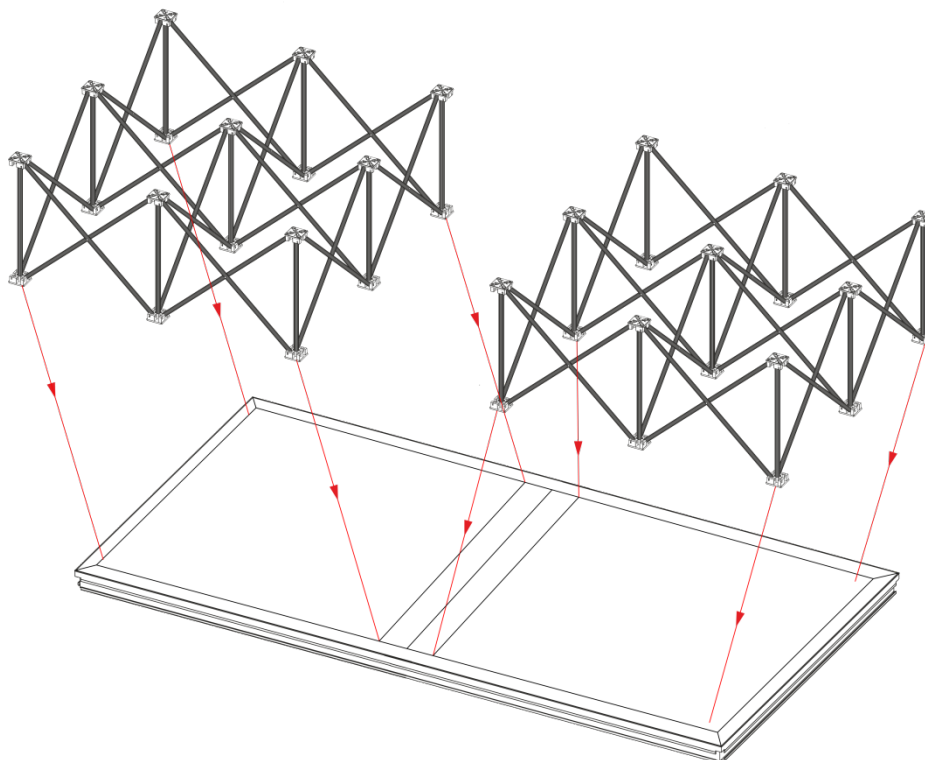


Fig. 03

Multiple Spider Stages

In order to connect two Spider Stage decks, you can use the following clamp:

- 70630 – Spider Stage Clamp



Apart from the clamp, you can also use 70637 – Spider Stage Self-leveling Insert, for extra stability.



Spider Stage Clamp Installation

- 01) Unpack two sets of the Spider Stage.
- 02) Assemble both sets.
- 03) Insert the Spider Stage clamp (70630) in between the two stage decks.
- 04) Connect both sets.

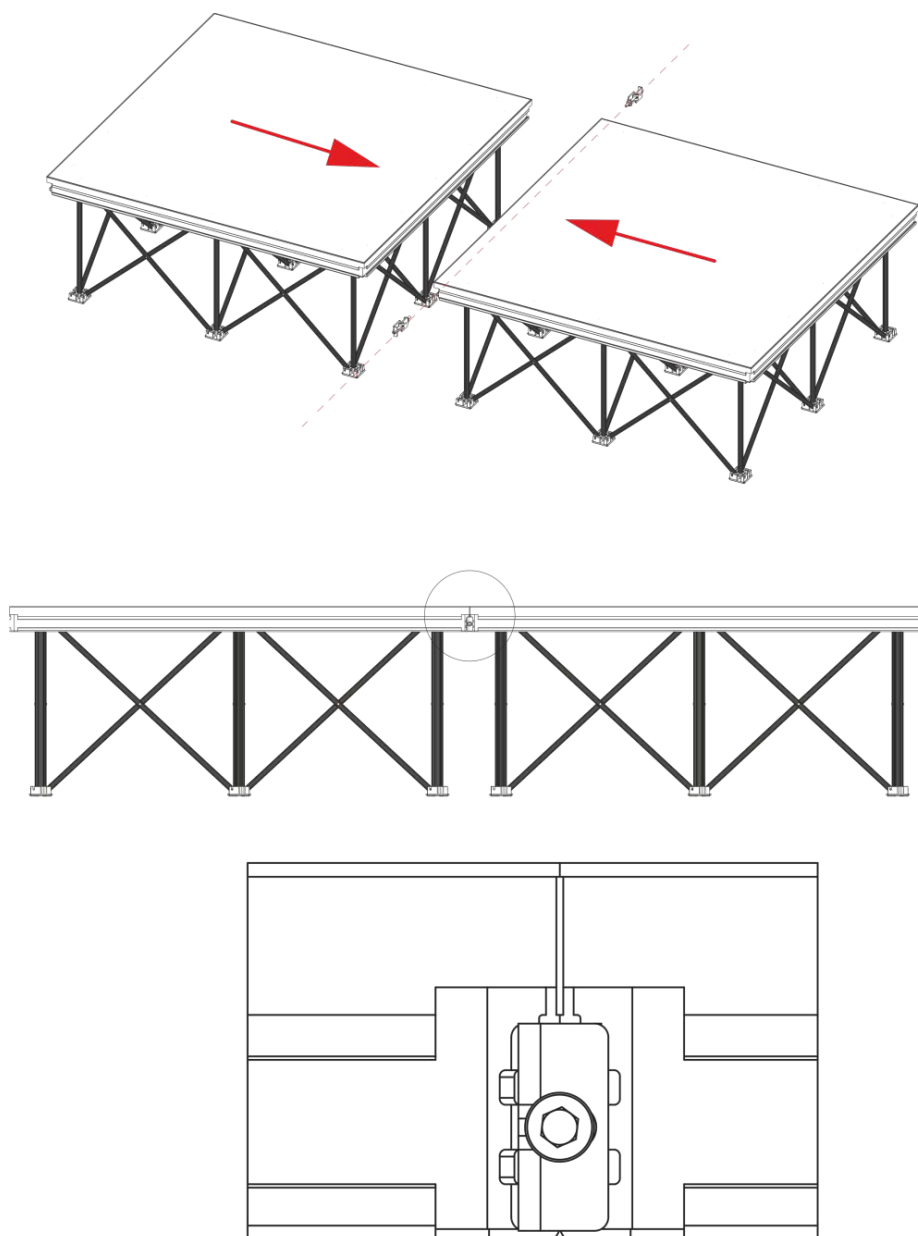


Fig. 04

Spider Stage Self-leveling Insert Installation

- 01) Unpack two sets of the Spider Stage.
- 02) In order to level the two sets, insert the Spider Stage Self-leveling Insert (**70637**) in between the two stage decks (see fig. 05).
- 03) Connect both sets.
- 04) For the correct placement of the Spider Stage Self-leveling Insert, see pages 10-11.

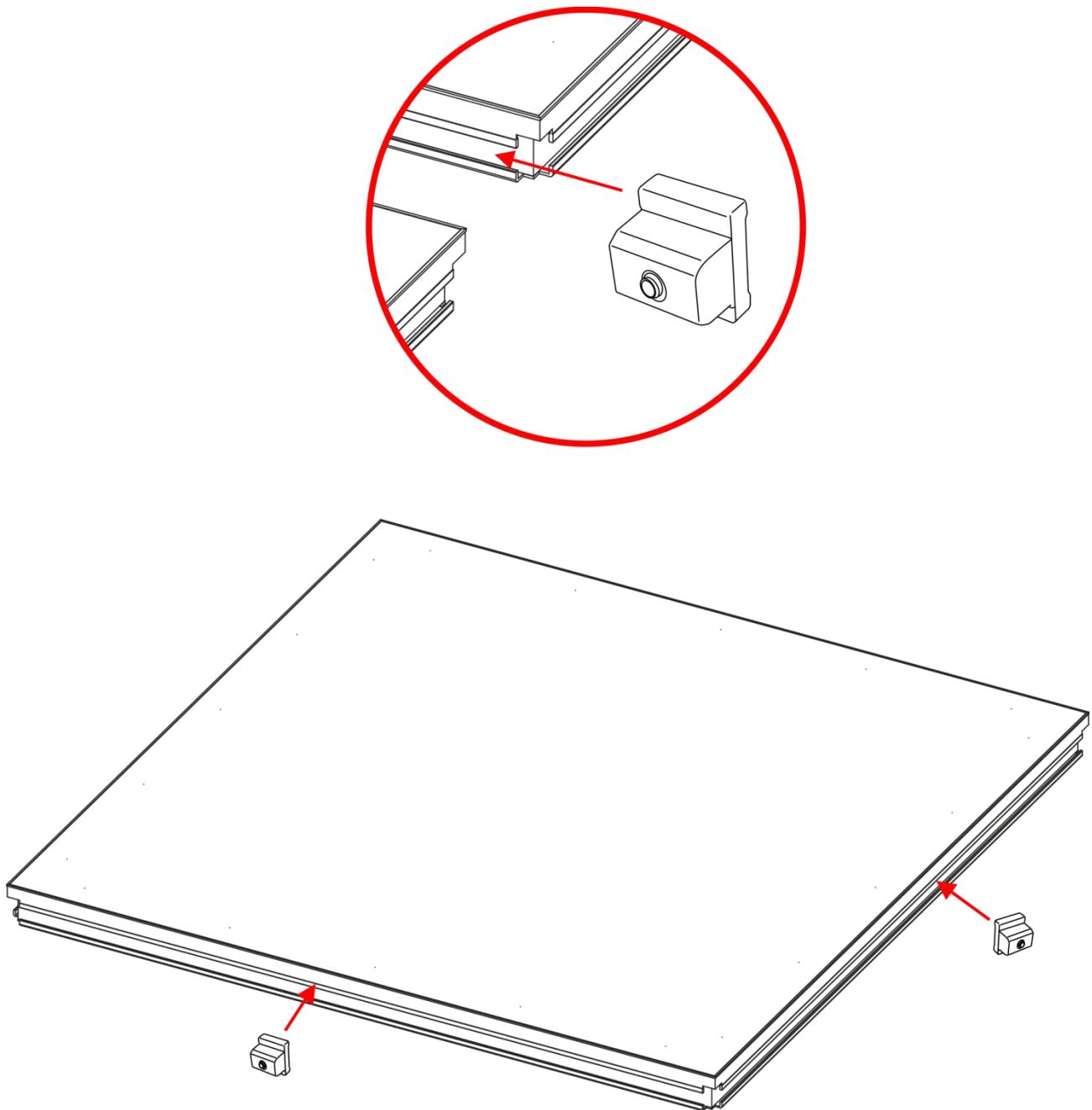


Fig. 05

Installation Example

It is possible to attach multiple Spider Stage decks (70610/70620) to each other. In order to create more stability when connecting inner decks, use the Spider Stage clamps (70630) as presented below:

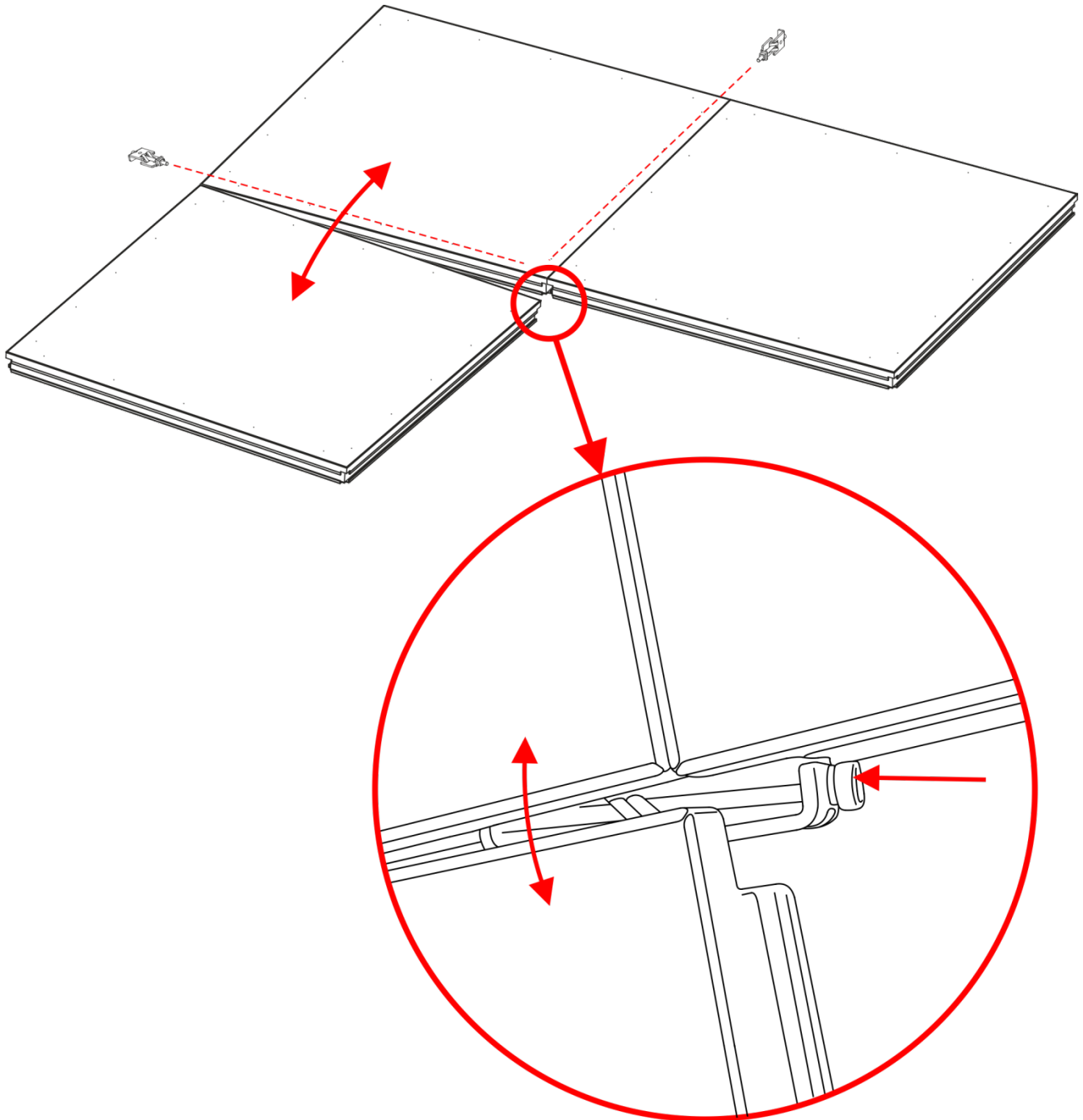


Fig. 06

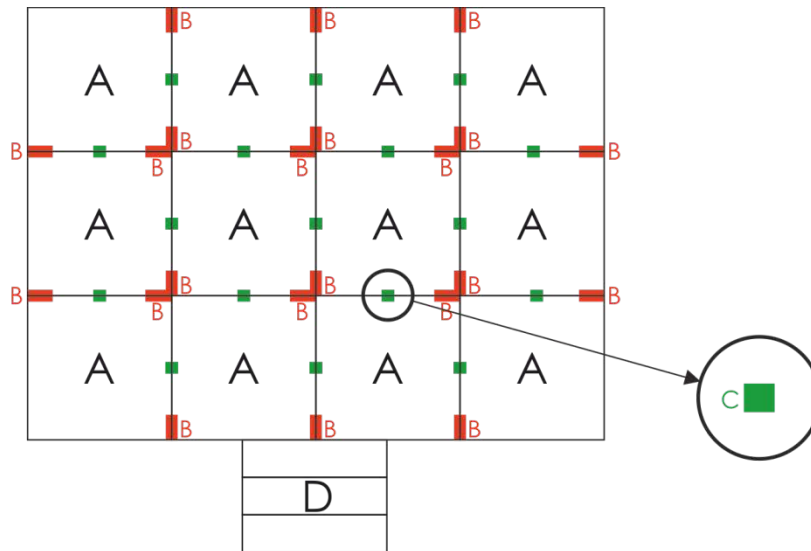
- 01) In order to connect two inner decks, slightly pull them out of each other to create adequate space for inserting the Spider Stage clamp.
- 02) Loosen the screw to make the Spider Stage clamp more flexible.
- 03) Slide the Spider Stage clamp partially into the slot, to connect both Spider Stage decks.
- 04) Once you have succeeded, insert the Spider Stage clamp completely into the slot.
- 05) Tighten the screw.
- 06) In this way, the Spider Stage decks are fitted to each other not only on the outside but also on the inside of the installation, which adds to the overall stability.
- 07) For more details, see fig.07 and fig.08 on pages 10-11.

Examples

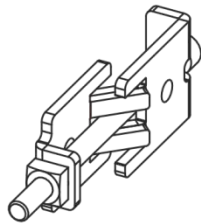
12 m² Spider Stage

The list of needed items:

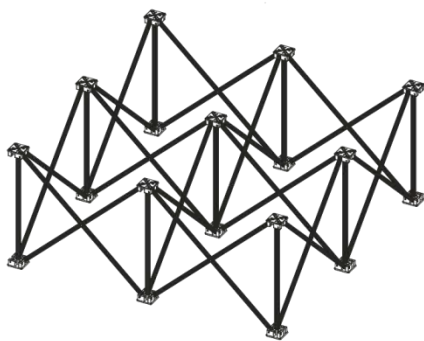
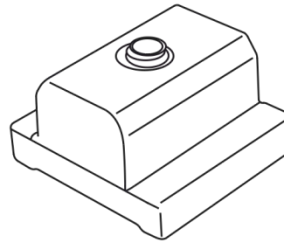
- (A) 12 x Spider Stage 1 x 1 m (70610)
- 12 x Spider Legs 20/40/60 cm (1 x 1 m) (70611/70612/70613)
- (B) 22 x Spider Stage Clamp (70630)
- (C) 14 x Spider Stage Self-leveling Insert (70637)
- (D) 1 x Spider Stairs 40/60 cm (70633/70634)
- 2 x Case for 6 x Spider Stage (1 x 1 m) (D7225)



70630



70637



70611/70612/70613 (1 x 1 m)

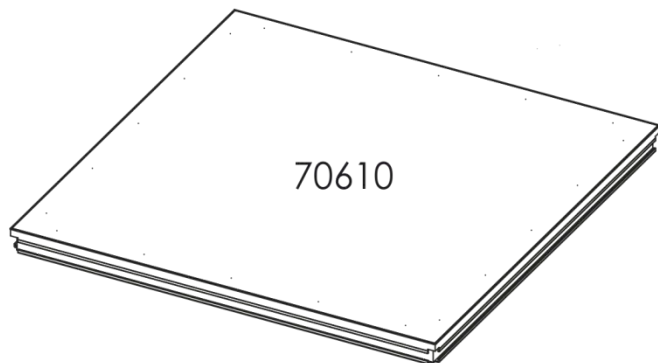


Fig. 07

60 m² Spider Stage

The list of needed items:

- (A) 30 x Spider Stage 2 x 1 m (70620)
- 60 x Spider Legs 20/40/60 cm (1 x 1 m) (70611/70612/70613)
- (B) 58 x Spider Stage Clamp (70630)
- (C) 49 x Spider Stage Self-leveling Insert (70637)
- (D) 1 x Spider Stairs 40/60 cm (70633/70634)
- (E) 22 x Spider Guard Rail (1 m) (70631)
- 44 x Spider Guard Rail Clamp (70632)

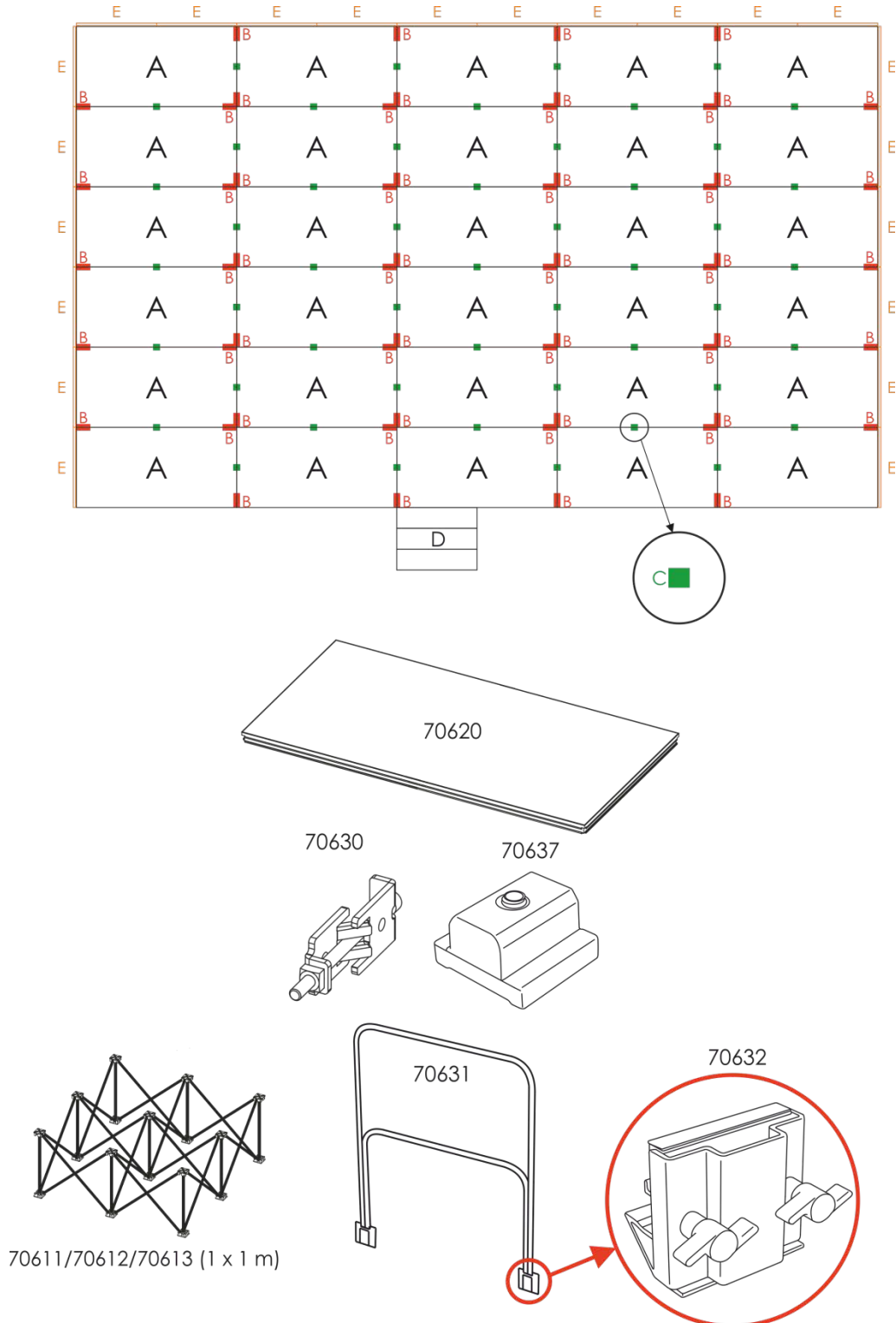


Fig. 08

Maintenance

The user has to make sure that safety-related installations are to be inspected by an expert after every year in the course of an acceptance test.

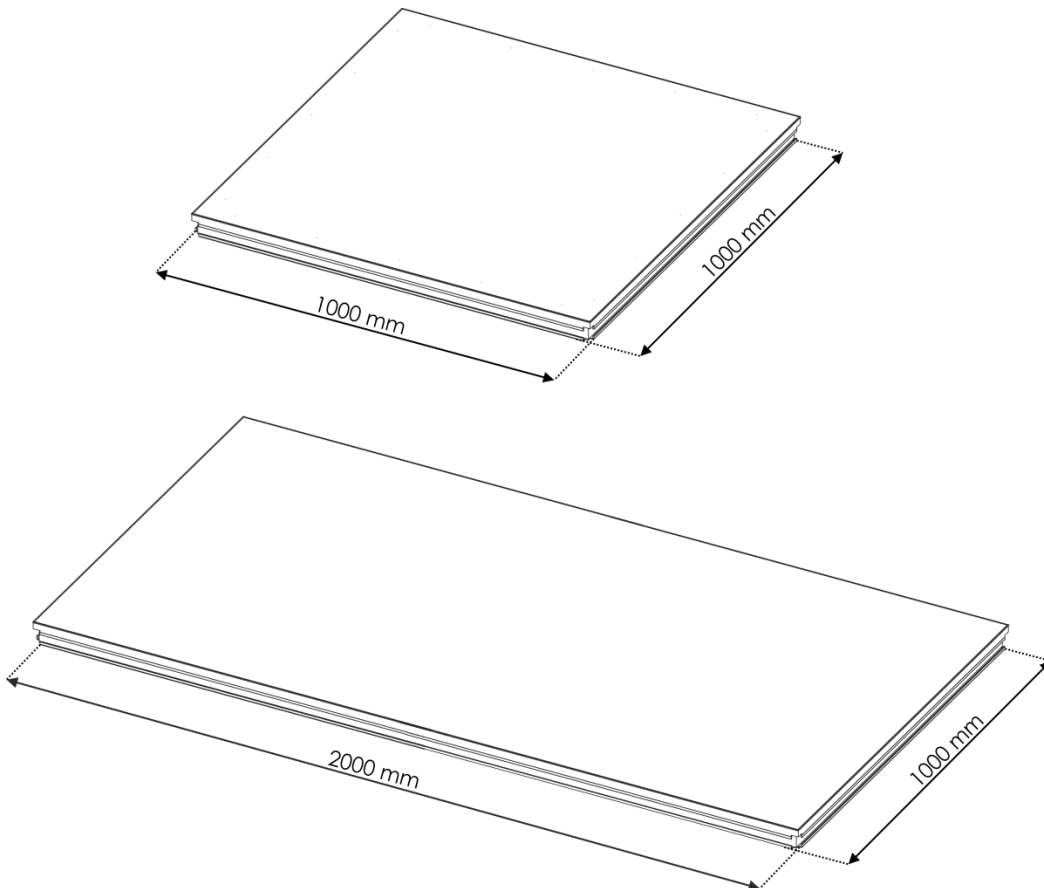
The user has to make sure that safety-related installations are to be inspected by a skilled person once a year.

The following points have to be considered during the inspection:

- 01) All screws used for installing the device or parts of the device have to be tightly connected and must not be corroded.
- 02) There may not be any deformations on housings, fixations and installation spots.
- 03) Mechanically moving parts like axles, eyes and others may not show any traces of wearing.
- 04) The electric power supply cables must not show any damages or material fatigue.

Product Specifications

Model:	Showtec Spider Stage 1 x 1 m / 2 x 1 m
Maximum load:	500 kg/m ²
Material:	Aluminum (6063-T66)
Dimensions:	1000 x 1000 x 55 mm (LxWxH) / 2000 x 1000 x 55 mm (LxWxH)
Weight:	12 kg / 24 kg



Design and product specifications are subject to change without prior notice.



Website: www.Showtec.info

Email: service@highlite.nl



©2016 Showtec