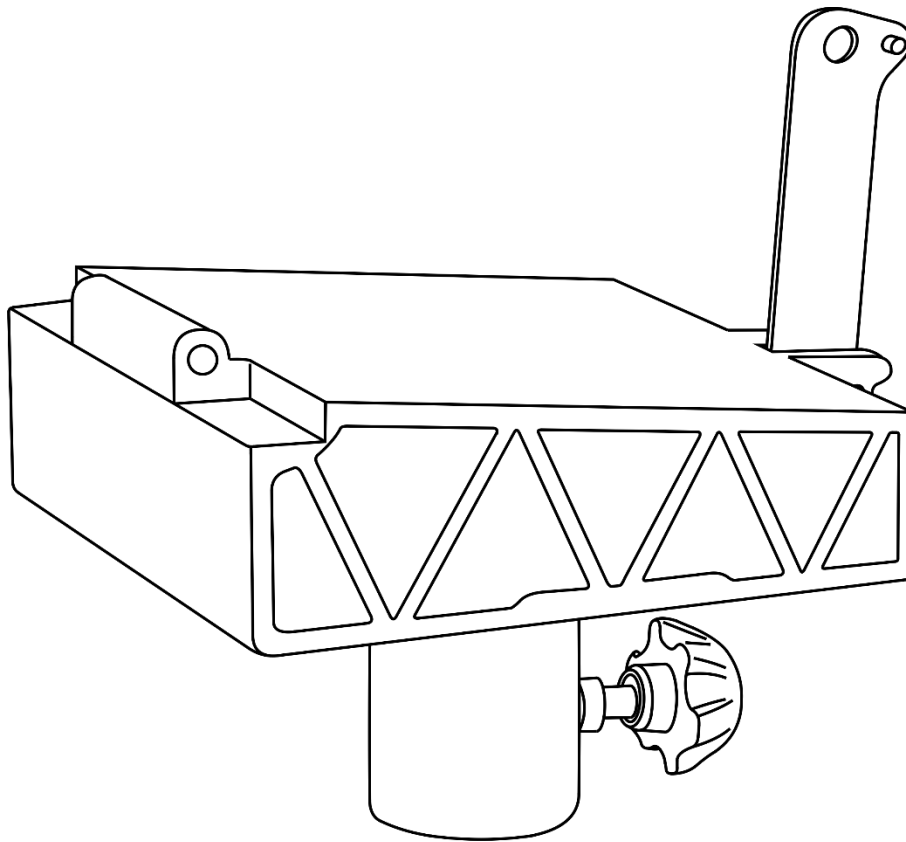




# MANUAL



ENGLISH

## Mobile Bracket for Xi-3

## V1

Ordercode: D3438/D3439

## Table of contents

---

<b>Warning</b> .....	2
Safety Instructions .....	2
Operating Determinations .....	3
Rigging .....	3
Return Procedure .....	4
Claims.....	4
<b>Description of the device</b> .....	5
Overview .....	5
<b>Installation</b> .....	5
<b>Set Up and Operation</b> .....	6
<b>Maintenance</b> .....	9
<b>Product Specifications</b> .....	9

## Warning



**For your own safety, please read this user manual carefully  
before your initial start-up!**

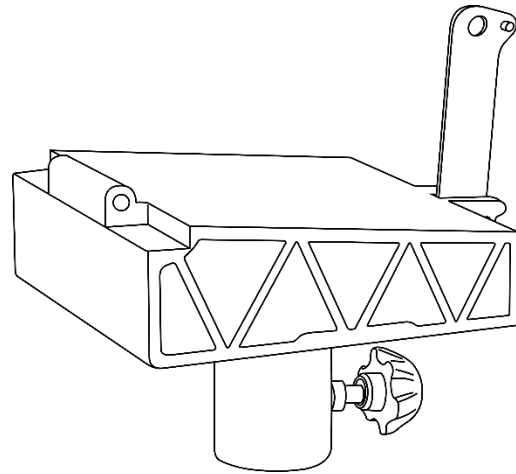


### Unpacking Instructions

Immediately upon receiving this product, carefully unpack the carton and check the contents to ensure that all parts are present, and have been received in good condition. Notify the dealer immediately and retain packing material for inspection if any parts appear damaged from shipping or the carton itself shows signs of mishandling. Save the carton and all packing materials. In the event that a fixture must be returned to the factory, it is important that the fixture be returned in the original factory box and packing.

### Your shipment includes:

- 2 x DAP Audio Mobile Bracket for Xi-3
- User manual



### Safety Instructions

Every person involved with the installation, operation and maintenance of this device has to:

- be qualified
- follow the instructions of this manual



**CAUTION! Be careful with your operations.  
Never exceed the maximum load capacity!**



Please make sure that there is no damage caused by transportation. Should there be any, consult your dealer and do not use the device.

To maintain perfect condition and to ensure a safe operation, it is absolutely necessary for the user to follow the safety instructions and warning notes written in this manual.

Please consider that damages caused by manual modifications to the device are not subject to warranty. This device contains no user-serviceable parts. Refer servicing to qualified technicians only.

### IMPORTANT:

The manufacturer will not accept liability for any resulting damages caused by the non-observance of this manual or any unauthorized modification to the device.

- Never exceed the maximum load capacity (9 kg).
- Never remove warning or informative labels from the unit.
- Never use or continue to work with a damaged or defective bracket.

- Never lift the bracket with attached speakers by grabbing the bracket, as it may become damaged. Always remove the speakers first and then remove the bracket.
- Never attach other loads to the array system.
- Never climb the system during or after installation.
- Never expose the system to extra loads (for example wind or snow).
- Do not install the system over areas of public access.
- Do not begin installation of this product before you have read the entire manual.
- Firmly tighten the screws, but do not overtighten. Overtightening can damage the bracket, thereby greatly reducing its holding power.
- Please read this manual carefully and keep it for future reference.
- Carefully inspect the bracket before use.
- Always use an assistant or mechanical lifting equipment to safely lift and position the bracket.
- Always pay attention to local regulations, with respect to occupational health, safety and general rules for safe working.
- Always check the national standards and regulations of the country where the bracket is used.
- Always wear protective helmets and footwear.
- All brackets should be visually inspected before use. In the event of any damage, the bracket should be taken out of service and returned to an approved DAP Audio dealer for inspection.
- Suspending loads should be done with extreme caution.
- For semi-permanent installation applications, check integrity of welds, joints and bracket's tightness weekly.
- Do not shake the device. Avoid brute force when installing the bracket.
- Only use device indoors, avoid contact with water or other liquids.
- Only move a load, after having made sure that the load is safely and correctly attached and that there are no persons within the immediate vicinity of the hoist and/or the load.
- Avoid flames and do not put close to flammable liquids or gases.
- Make sure that the supporting surface will safely support the combined load of the equipment and all attached hardware and components.
- Make sure that the device is not exposed to extreme heat or moisture.
- If the bracket is dropped or struck, have a qualified engineer inspect for safety before installing.
- For adult use only. Bracket must be installed by a qualified technician.
- The user is responsible for correct positioning and operating of the bracket. The manufacturer will not accept liability for damages caused by the misuse or incorrect installation of this device.
- Applications that are not described in this manual, are not allowed.
- Repairs and servicing must be carried out by a qualified technician.
- WARRANTY: Till one year after date of purchase.

### Operating Determinations

- If this product is operated in any other way, than the one described in this manual, the product may suffer damages and the warranty becomes void.
- Any other operation may lead to serious damage and/or severe injuries.

*You endanger your own safety and the safety of others!*

*Improper installation can cause serious damage to people and property !*

### Rigging

*Please follow the European and national guidelines concerning rigging, trussing and all other safety issues.*

*Do not attempt the installation yourself!*

*Always have the inspections carried out by an authorized dealer!*



### **Return Procedure**

Returned merchandise must be sent prepaid and in the original packing, call tags will not be issued. Package must be clearly labeled with a Return Authorization Number (RMA number). Products returned without an RMA number will be refused. Highlite will not accept the returned goods or any responsibility. Call Highlite 0031-455667723 or mail [offersales@highlite.nl](mailto:offersales@highlite.nl) and request an RMA prior to shipping the fixture. Be prepared to provide the model number, serial number and a brief description of the cause for the return. Be sure to properly pack fixture, any shipping damage resulting from inadequate packaging is the customer's responsibility. Highlite reserves the right to use its own discretion to repair or replace product(s). As a suggestion, proper UPS packing or double-boxing is always a safe method to use.

**Note: If you are given an RMA number, please include the following information on a piece of paper inside the box:**

- 01) Your name
- 02) Your address
- 03) Your phone number
- 04) A brief description of the symptoms

### **Claims**

The client has the obligation to check the delivered goods immediately upon delivery for any shortcomings and/or visible defects, or perform this check after our announcement that the goods are at their disposal. Damage incurred in shipping is the responsibility of the shipper; therefore the damage must be reported to the carrier upon receipt of merchandise.

It is the customer's responsibility to notify and submit claims with the shipper in the event that a fixture is damaged due to shipping. Transportation damage has to be reported to us within one day after receipt of the delivery.

Any return shipment has to be made post-paid at all times. Return shipments must be accompanied with a letter defining the reason for return shipment. Non-prepaid return shipments will be refused, unless otherwise agreed in writing.

Complaints against us must be made known in writing or by fax within 10 working days after receipt of the invoice. After this period complaints will not be handled anymore.

Complaints will only then be considered if the client has so far complied with all parts of the agreement, regardless of the agreement of which the obligation is resulting.

### Description of the device

---

#### Features

The Mobile Bracket is intended for mounting the Xi-3 cabinets on any standard 35-mm speaker stand or to connect the Xi-3, with a speaker pole, to your subwoofer to create a flexible set. The safe load of the Mobile Bracket is restricted to a maximum of 6 Xi-3 cabinets (9 kg), depending on the vertical tilt.

- Maximum load: 9 kg
- Diameter for speaker mounting: 35 mm
- Color: Black (**D3438**), White (**D3439**)
- Dimensions: 147 x 128 x 100 mm (LxWxH)
- Weight (per bracket): 0,9 kg

#### Optional accessories:

[D3432](#) – Xi-3 (Black)

[D3433](#) – Xi-3 (White)

[D3434](#) – Wall Bracket (Black)

[D3435](#) – Wall Bracket (White)

[D3436](#) – Suspension Bracket (Black)

[D3437](#) – Suspension Bracket (White)

[D3442](#) – Xi-12B (Black)

[D3443](#) – Xi-12B (White)

#### Overview

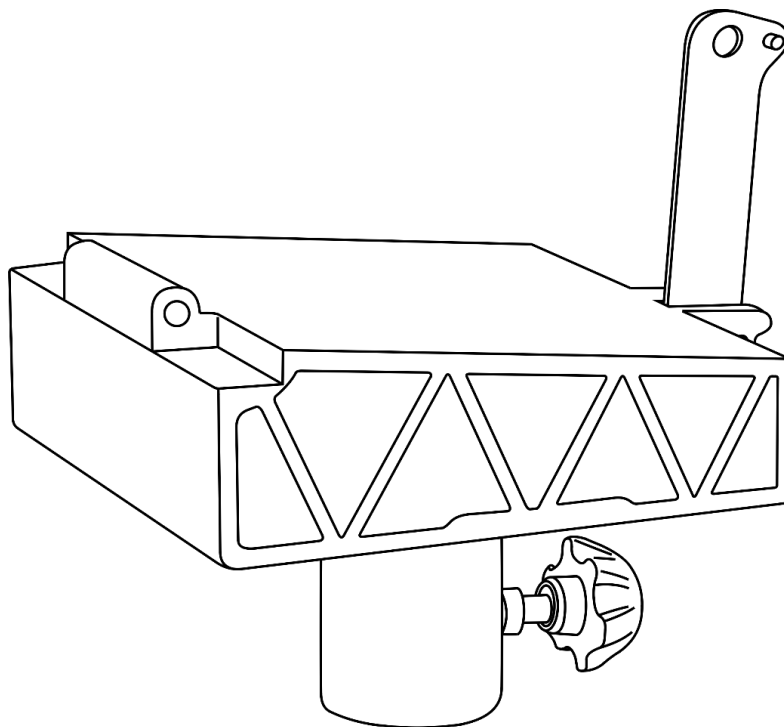


Fig. 01

#### Installation

---

Remove all packing materials from the Mobile Bracket for Xi-3. Check if all foam and plastic padding is removed.

**Refer installation only to a qualified technician.**

**Do not attempt installation yourself, if you are not qualified.**

### Set Up and Operation

Follow the directions below, as they pertain to your preferred installation mode.

**Refer installation only to a qualified technician.**

**Do not attempt installation yourself, if you are not qualified.**



#### CAUTION

**Refer installation only to a qualified technician.  
Do not attempt installation yourself, if you are not qualified.**



#### CAUTION

**The maximum load capacity of the Mobile Bracket for the Xi-3 is 9 kg.  
Do not exceed this rating.**



#### CAUTION

**Please follow the European and national guidelines concerning rigging, trussing and  
all other safety issues.**



- 01) Mount a 35-mm speaker stand/speaker pole.
- 02) Mount the Mobile Bracket on the top of the speaker stand/speaker pole and tighten its mounting screw, to secure it in position.
- 03) Mount the first Xi-3 speaker on the Mobile Bracket and insert the rigging pin to secure it in position (fig. 02).

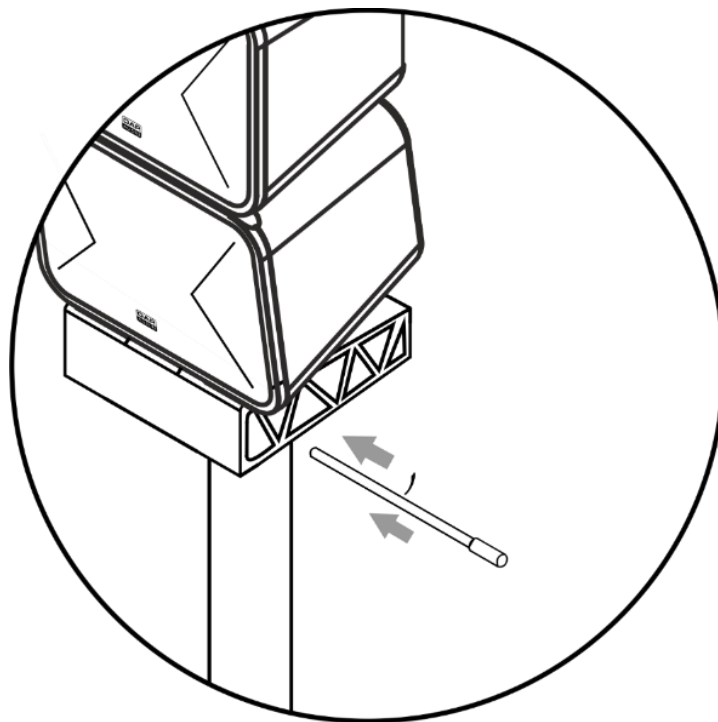


Fig. 02

- 04) Choose the desired directivity angle by inserting the rigging pin into the appropriate slot. Insert the latch, to lock the first Xi-3 speaker (fig. 03). The angle setting has influence on the sound directivity. **Please, ignore the angle indicators located on the slots, on the Xi-3 speakers (0/4/8/12°), as they are valid only in case of connecting multiple Xi-3 speakers. In combination with the Mobile Bracket, however, the angle indicators are NOT CORRECT!!!**

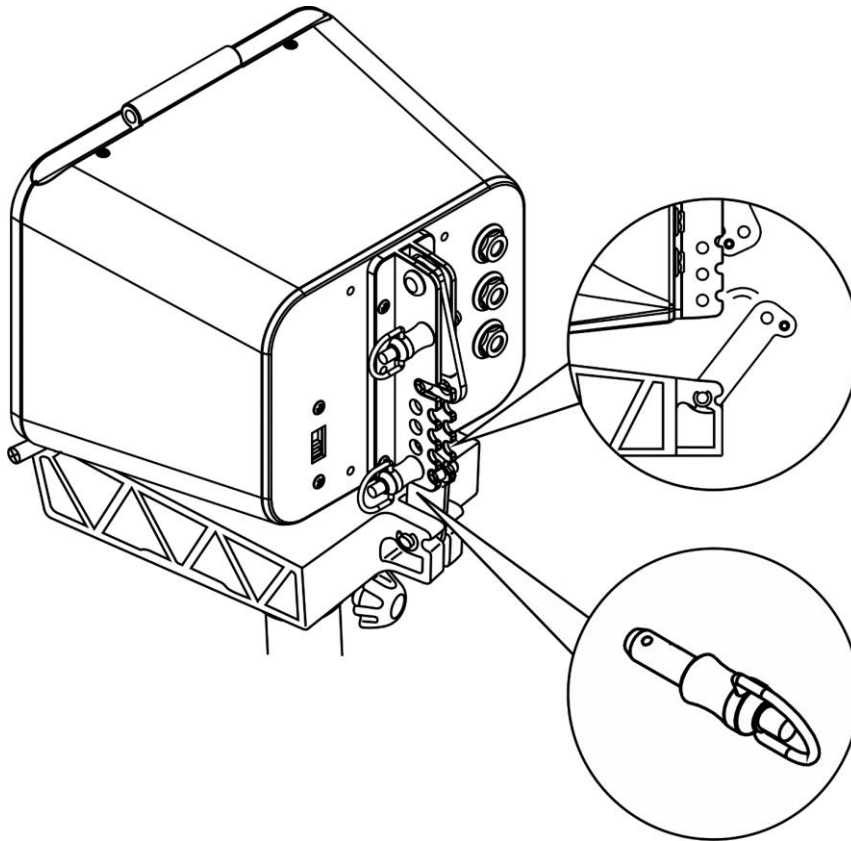


Fig. 03

- 05) Mount more Xi-3 speakers, from the bottom upwards, on the top of the already mounted first Xi-3 speaker (fig. 04 and fig. 05).

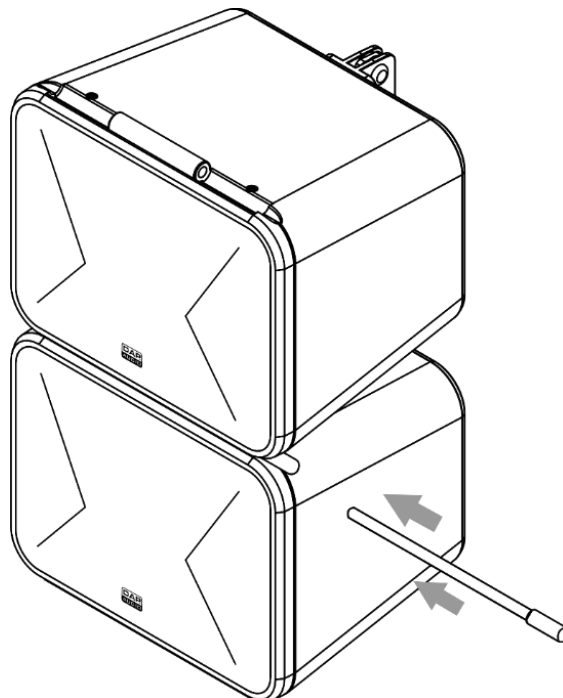


Fig. 04



06) Choose the desired directivity angle by inserting the rigging pin into the appropriate slot (0/4/8/12°). Insert the latch, to lock the speakers in position. The angle setting has influence on the sound directivity.

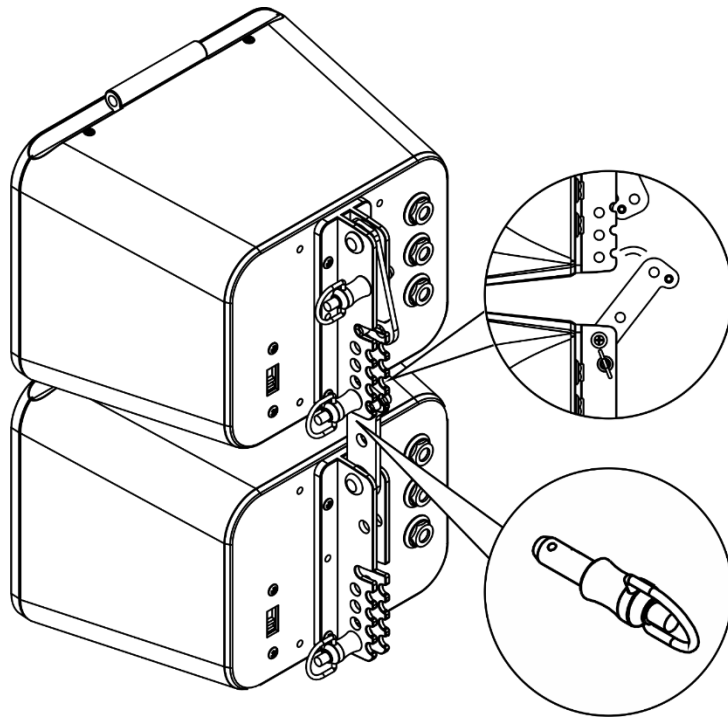
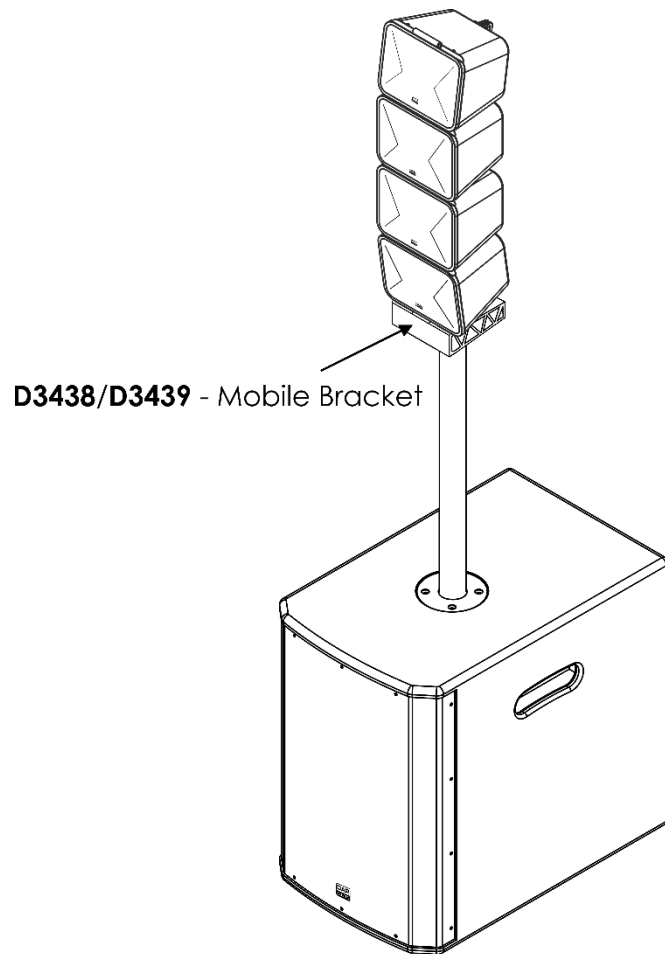


Fig. 05



D3442/D3443 - Xi-12B Sub

Fig. 06

## Maintenance

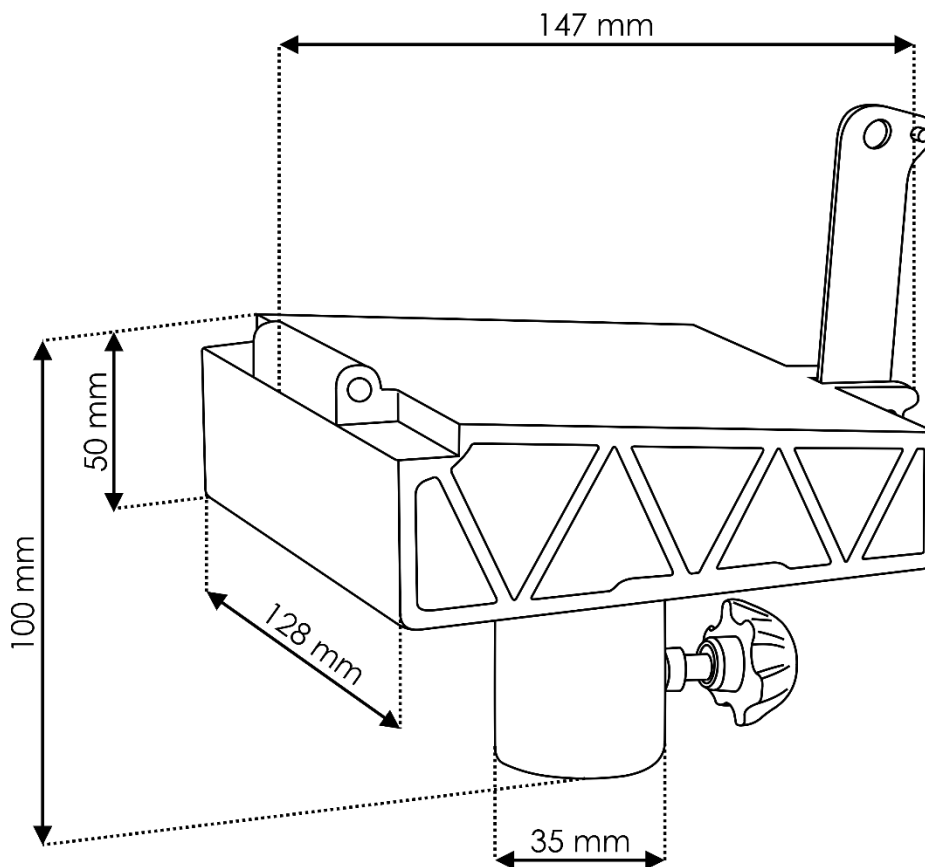
The operator has to make sure that safety-related and machine-technical installations are to be inspected by an expert after every year in the course of an acceptance test.  
The operator has to make sure that safety-related and machine-technical installations are to be inspected by a skilled person once a year.

The following points have to be considered during the inspection:

- 01) All screws used for installing the device or parts of the device have to be tightly connected and must not be corroded.
- 02) There may not be any deformations on housings, fixations and installation spots.
- 03) Mechanically moving parts like axles, eyes and others may not show any traces of wearing.

## Product Specifications

Model:	Mobile Bracket for Xi-3
Maximum load:	9 kg
Diameter for speaker mounting:	35 mm
Color:	Black (D3438), White (D3439)
Dimensions:	147 x 128 x 100 mm (LxWxH)
Weight (per bracket):	0,9 kg



Design and product specifications are subject to change without prior notice.



Website: [www.Dap-audio.info](http://www.Dap-audio.info)  
Email: [service@highlite.nl](mailto:service@highlite.nl)





©2018 DAP Audio