



# Compact Speaker Wallbracket

ORDERCODE D8429



Highlite International B.V.

Vestastraat 2  
6468 EX Kerkrade  
The Netherlands

**SHOWELECTRONICS FOR PROFESSIONALS**

# DAP Audio

---

## DAP Audio Compact Speaker Wallbracket™ Product Guide

<b>Warning</b> .....	2
Unpacking Instructions.....	2
Safety Instructions .....	2
Operating Determinations .....	3
Return Procedure.....	3
Claims.....	3
<b>Description of the device</b> .....	4
<b>Installation</b> .....	4
Separate the swivel joint from the wall bracket .....	4
Fastening the wall bracket .....	4
Mounting the speaker.....	4
Setting the speaker angle .....	5
<b>Maintenance</b> .....	6
<b>Product Specification</b> .....	6

## Warning

**FOR YOUR OWN SAFETY, PLEASE READ THIS USER MANUAL CAREFULLY  
BEFORE YOUR INITIAL START-UP!**

## Unpacking Instructions

Immediately upon receiving this product, carefully unpack the carton and check the contents to ensure that all parts are present, and have been received in good condition. Notify the dealer immediately and retain packing material for inspection if any parts appear damaged from shipping or the carton itself shows signs of mishandling. Save the carton and all packing materials. In the event that a device must be returned to the factory, it is important that the device is returned in the original factory box and packing.



### **CAUTION!**

**Keep this system away from rain and moisture!**



## Safety Instructions

Every person involved with the installation, operation and maintenance of this system has to:

- be qualified
- follow the instructions of this manual



**CAUTION! Be careful with your operations.  
With a dangerous voltage you can suffer  
a dangerous electric shock when touching the wires!**



Before you initial start-up, please make sure that there is no damage caused by transportation. Should there be any, consult your dealer and do not use the system.

To maintain perfect condition and to ensure a safe operation, it is absolutely necessary for the user to follow the safety instructions and warning notes written in this manual.

Please consider that damages caused by manual modifications to the system are not subject to warranty.

This system contains no user-serviceable parts. Refer servicing to qualified technicians only.

### **IMPORTANT:**

*The manufacturer will not accept liability for any resulting damages caused by the non-observance of this manual or any unauthorized modification to the system.*

- Never remove warning or informative labels from the unit.
- Do not modify the device.
- Make sure, the maximum load of the compact speaker bracket does not exceed 20kg.
- Use at least 4 screws/bolts to mount the wall bracket to a wall.
- Chose a position and mounting method compliant with local building codes and regulations.
- For use only by trained installers.
- For use only at proper walls with adequate anchors.
- Not suitable for fragile walls. Beware of power supply lines and water conduits. In case you're unsure, ask an expert.
- Inspect bolted assemblies regularly.
- Only use system indoor, avoid contact with water or other liquids.
- Avoid flames and do not put close to flammable liquids or gases.
- WARRANTY: Till one year after date of purchase.

## Operating Determinations

If this system is operated in any other way, than the one described in this manual, the product may suffer damages and the warranty becomes void.

*Improper installation can cause serious damage to people and property !*

### **Return Procedure**

Returned merchandise must be sent prepaid and in the original packing, call tags will not be issued. Package must be clearly labeled with a Return Authorization Number (RMA number). Products returned without an RMA number will be refused. Highlite will not accept the returned goods or any responsibility. Call Highlite 0031-455667723 or mail [aftersales@highlite.nl](mailto:aftersales@highlite.nl) and request an RMA prior to shipping the device. Be prepared to provide the model number, serial number and a brief description of the cause for the return. Be sure to properly pack the device, any shipping damage resulting from inadequate packaging is the customer's responsibility. Highlite reserves the right to use its own discretion to repair or replace product(s). As a suggestion, proper UPS packing or double-boxing is always a safe method to use.

**Note: If you are given an RMA number, please include the following information on a piece of paper inside the box:**

- 1) Your name
- 2) Your address
- 3) Your phone number
- 4) A brief description of the symptoms

## Claims

The client has the obligation to check the delivered goods immediately upon delivery for any shortcomings and/or visible defects, or perform this check after our announcement that the goods are at their disposal. Damage incurred in shipping is the responsibility of the shipper; therefore the damage must be reported to the carrier upon receipt of merchandise.

It is the customer's responsibility to notify and submit claims with the shipper in the event that a fixture is damaged due to shipping. Transportation damage has to be reported to us within one day after receipt of the delivery.

Any return shipment has to be made post-paid at all times. Return shipments must be accompanied with a letter defining the reason for return shipment. Non-prepaid return shipments will be refused, unless otherwise agreed in writing.

Complaints against us must be made known in writing or by fax within 10 working days after receipt of the invoice. After this period complaints will not be handled anymore.

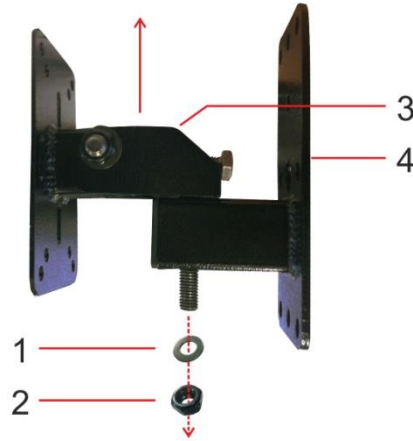
Complaints will only then be considered if the client has so far complied with all parts of the agreement, regardless of the agreement of which the obligation is resulting.

## Description of the device

The Compact speakerbracket is intended to mount a speaker to a wall. The Compact speakerbracket can handle a speaker with a maximum load of 20 kg.

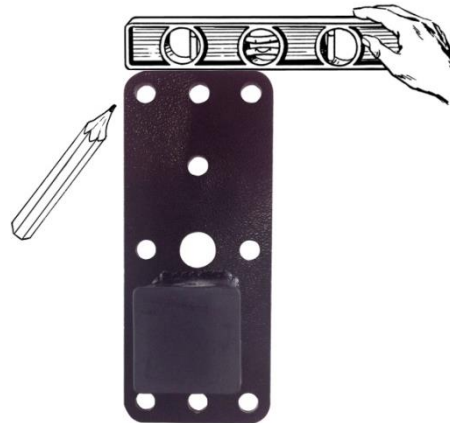
## Installation

### Separate the swivel joint from the wall bracket



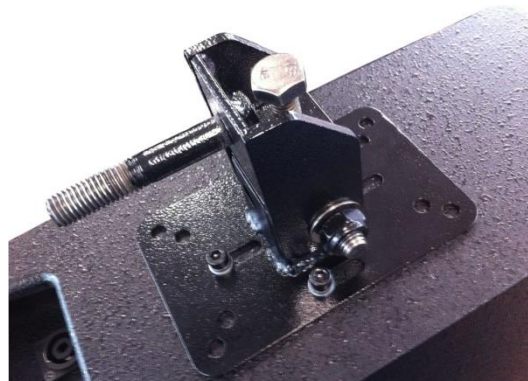
1. Remove the **swivel joint nut (2)** and **swivel joint washer (1)**.
2. Lift and the **swivel joint (3)** out of the **wall bracket (4)**.

### Fastening the wall bracket

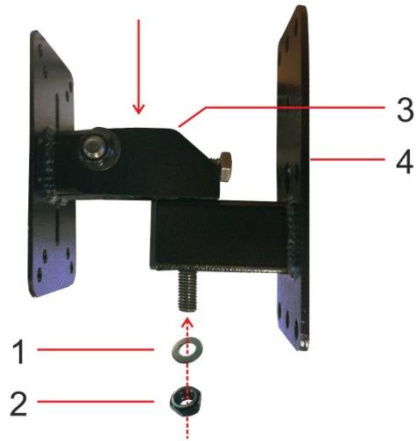


Use the wall bracket as a template for marking the drill holes. Make sure that the template is vertically adjusted correctly. Use at least four screws/bolts for fastening the **wall bracket (4)**. If necessary, use more screws. The number of screws/bolts you need depends mainly on the quality of the wall you are mounting the bracket on.

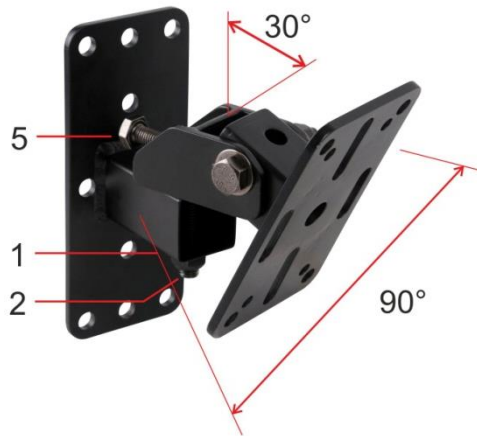
### Mounting the speaker



1. Fasten the **swivel joint (3)** to the speaker.
  - Never use countersink screws.
  - Always use washer and spring washers.
2. Install the **swivel joint (3)** (with mounted speaker) into the wall bracket.
3. Replace and fasten the **swivel joint nut (2)** and **swivel joint washer (1)**.



### Setting the speaker angle



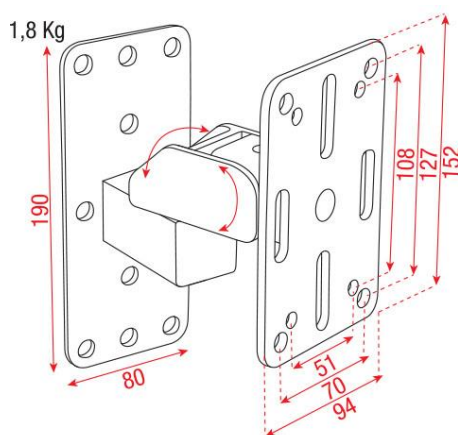
Tilting: Set the speaker angle in the vertical plane by tightening/loosening the **tilt adjustment (5)** bolt.  
 Direction: Loosen the **swivel joint nut (2)** and **swivel joint washer (1)**. Pivot the speaker and tighten the **swivel joint nut (2)** and **swivel joint washer (1)** again.

## Maintenance

The DAP Audio Compact speaker wallbracket requires almost no maintenance. However, you should keep the unit clean. Wipe the Compact speaker bracket with a damp cloth. Do not immerse in liquid. Do not use alcohol or solvents.

## Product Specification

Angle of inclination:	0 to 30°
Swivel:	0 to 90°
Weight:	1,8 kg
Maximum load:	20 kg
Material:	Steel
Wall clearance:	147mm
Dimensions wall plate:	80 x 190 mm
Dimensions Speaker plate:	94 x 152 mm



Design and product specifications are subject to change without prior notice.



Website: [www.Dap-audio.info](http://www.Dap-audio.info)  
Email: [service@highlite.nl](mailto:service@highlite.nl)



© 2013 DapAudio.