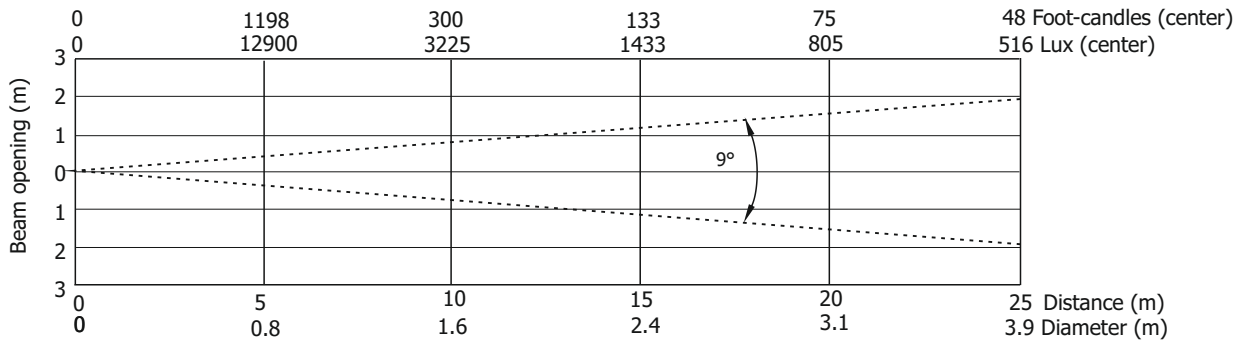


# Robin SilverScan

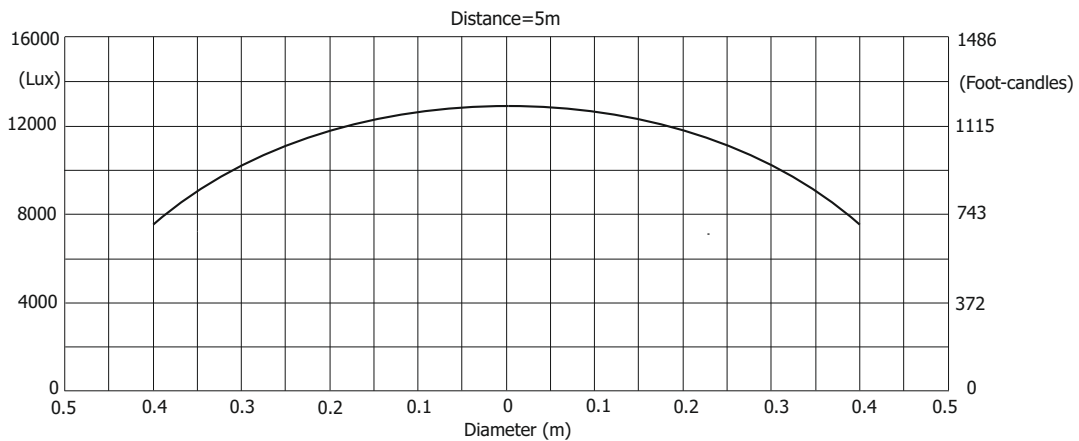
## Photometric Diagrams

Light source: 350W white engine

Beam angle 9° - Min. zoom  
Total Output: 4895 lumens



### Illuminance distribution



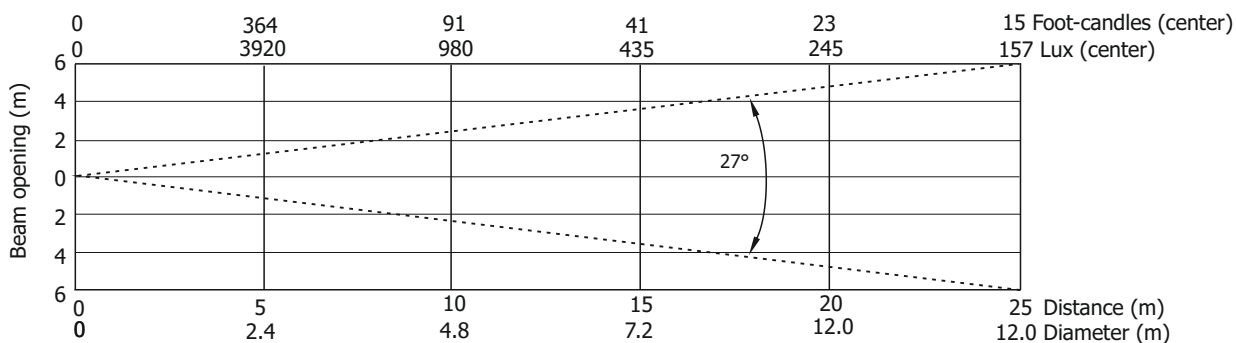
# Robin SilverScan

## Photometric Diagrams

Light source: 350W white engine

### Beam angle 27° - Max. zoom

Total Output: 9020 lumens



### Illuminance distribution

